

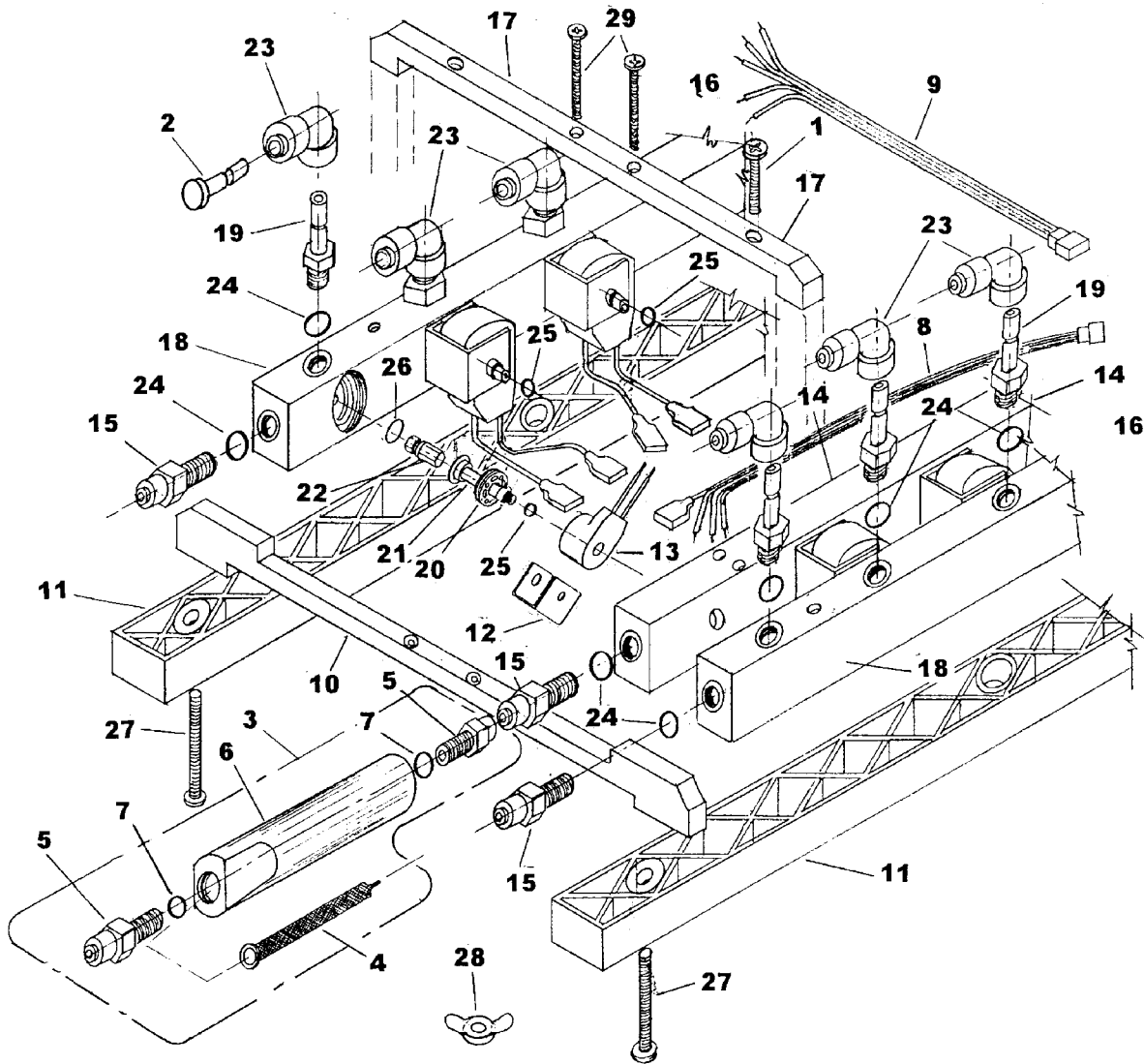
**AQUAGATOR HYDRAULIC
 CONTROL MODULE**

AHM-12, AHM-16, AHM-24

Catalog No.:

Date: 6/99

Page: 1 of 2



Note: Part numbers enclosed in brackets () are not available individually, but may be sold in assemblies or kits.

**AQUAGATOR HYDRAULIC
CONTROL MODULE**

AHM-12, AHM-16, AHM-24

Catalog No.:

Date: 6/99

Page: 2 of 2

Ref.	Part Description	AHM-12	AHM-16	AHM-24
1	EAGLE'S NEST Screw	211487	211487	211487
2	Valve Plug	(632768)	(632768)	(632768)
3	Filter Housing Assembly Kit	632650	632650	632650
4	Pocket Filter Screen	632273	632273	632273
5	St. ¼ x ¼ NPT Fitting	(632274)	(632274)	(632274)
6	Filter Housing	(632636)	(632636)	(632636)
7	O-Ring .100 Dia.	650978-05	650978-05	650978-05
8	Harness Assy. w/SBM Con.	(632190)	-	-
9	Station Wire Harness	-	(632281-01)	(632281-02)
10	Lower Support Bracket	211511	211511	211511
11	Pedestal Bracket	(211664)	(211664)	(211664)
12	Solenoid Coil SS Frame	210914*	210914*	210914*
13	Solenoid Coil assy. w/Con.	(632202)*	(632202)*	(632202)*
14	Pressure Manifold	(632257-12)	(632257-16)	(632257-24)
15	St. ¼ x 1/8 Male Fitting	632342	632342	632342
16	1/8 NPT Manifold End Plug (not shown on drawing)	(632343)	(632343)	(632343)
17	Top Securing Bracket	632472	632472	632472
18	Solenoid Manifold	(211811-01)	(211811-02)	(211811-03)
—	Stem Tube Adapter Kit	211497	211497	211497
19	Stem Tube Adapter	(211453)	(211453)	(211453)
24	O-Ring .426	650932-04	650932-04	650932-04
20	Plastic Solenoid Base Nut	602606*	602606*	602606*
—	Core Tube & Plunger Kit	211858	211858	211858
21	Solenoid Core Tube Assy.	(632410)*	(632410)*	(632410)*
22	Solnd. Plngr. Assy. w/Spr	(632415)*	(632415)*	(632415)*
23	Swivel Elbow – Male	632551-01	632551-01	632551-01
25	O-Ring .114 – Core Tube	650932-06*	650932-06*	650932-06*
26	O-Ring .676 – Solenoid	211165	211165	211165
27	#10-24 Philips Flat Hd Screw	(650931)	(650931)	(650931)
28	¼-20 Wing Nut	(650439-04)	(650439-04)	(650439-04)
29	#10-24 Philips Rnd. Hd Screw	(650930)	(650930)	(650930)

* The Complete Solenoid Assembly Kit (632092) consists of parts 210914, 632202, 602606, 632410, 632415 and 650932-06.

Note: Part numbers enclosed in brackets () are not available individually, but may be sold in assemblies or kits.