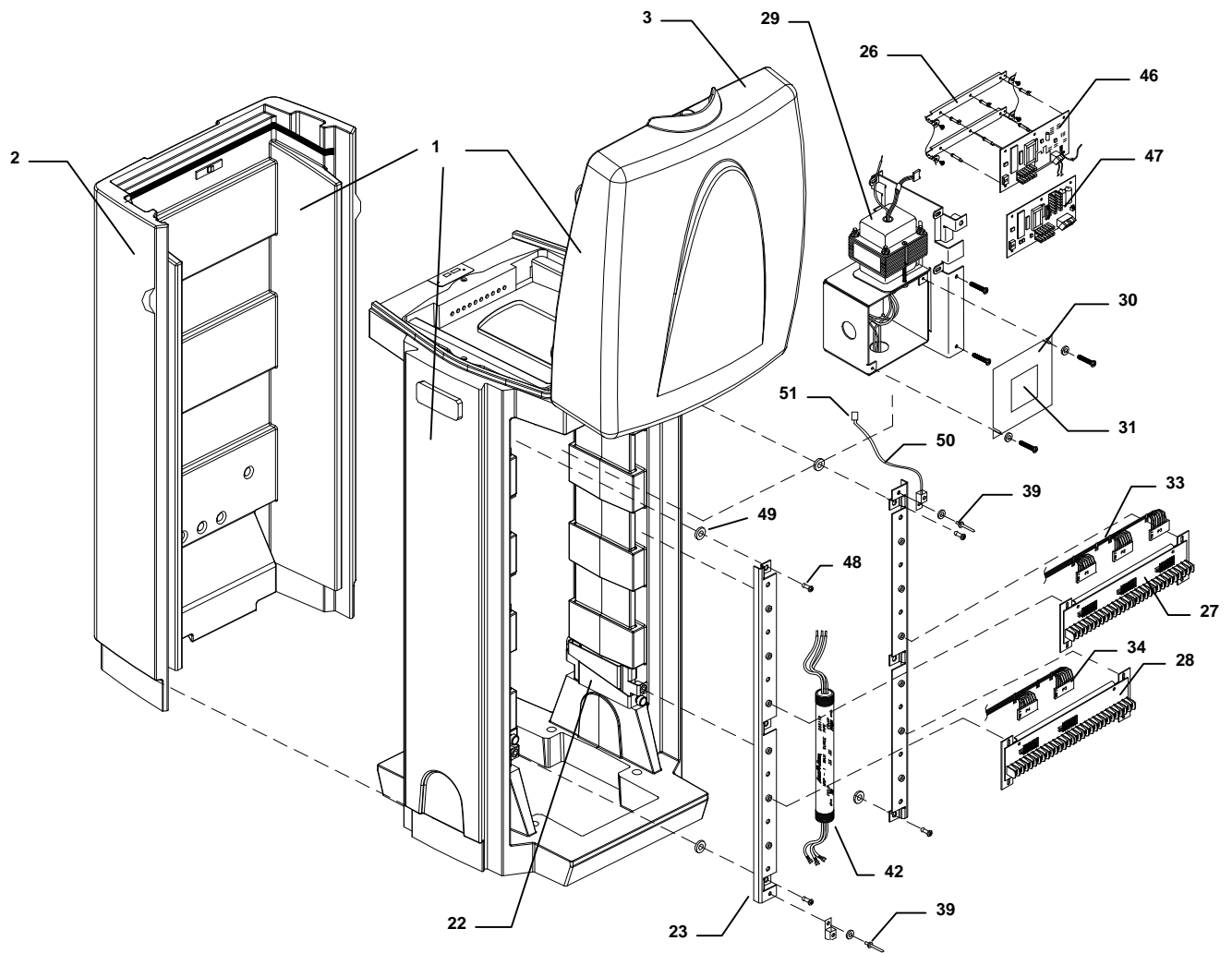


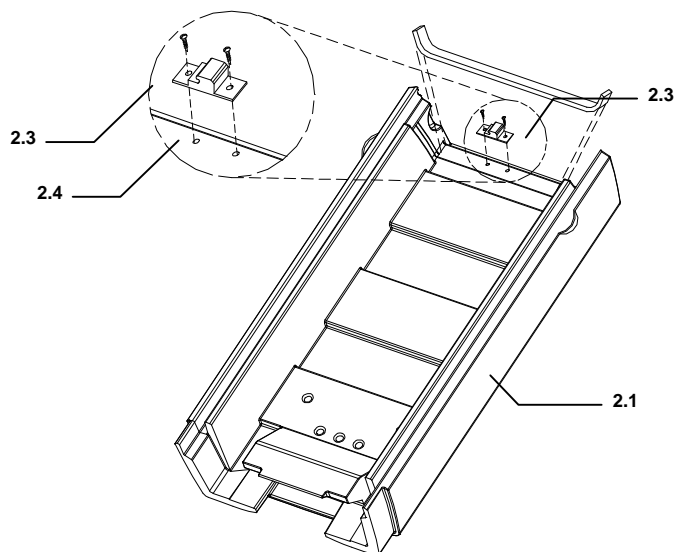
**Note: Part Number enclosed in brackets ( ) are not available individually, but may be sold in assemblies or kits.**



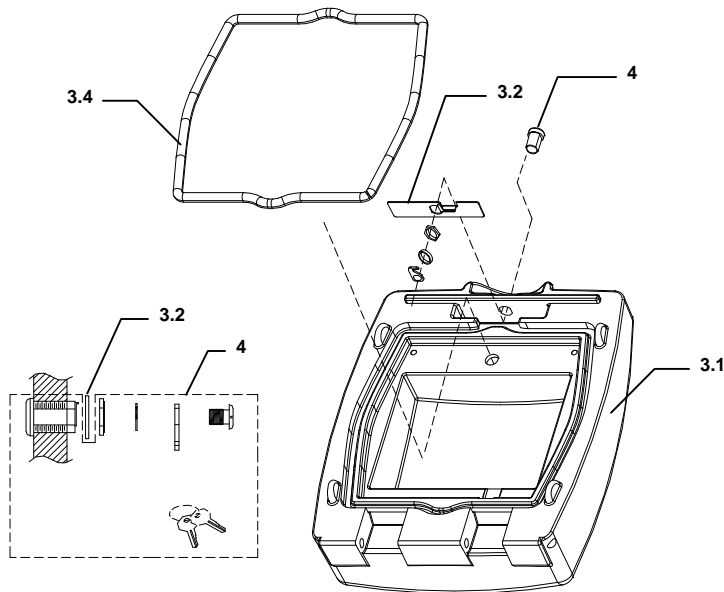
**Note: Part Number enclosed in brackets ( ) are not available individually, but may be sold in assemblies or kits.**

Ref.	Description	Qty.	Part Number
<b>1</b>	<b>PLASTIC PEDESTAL SUB-ASSY, RP GRAY</b>	<b>1</b>	<b>H44010</b>
2	DOOR RP SUB-ASSY RP	2	(635454-02)
3	LID RP SUB-ASSY	1	(635455-02)
4	LOCK,NOTCHED CAM	1	635192
5	PLATE, LOCK,SST	1	(635469)
6	BRACKET, HINGE, SST. LEFT	1	(635470-01)
7	BRACKET, HINGE, SST. RIGHT	1	(635470-02)
<b>8</b>	<b>PEDESTAL MOUNTING KIT</b>	<b>1</b>	<b>635780</b>
9	BAG,POLY 6 X 8	1	(601846)
10	BAG, POLY 15X24	1	(632308-01)
11	MOUNTING TEMPLATE	1	(635233)
12	ANCHOR BOLT	4	(635258-02)
13	LABEL, BOLT. PPED, TEMPLATE	1	(635824)
14	WASHER 5/16 LOCK-SPRING	4	(650029-07)
15	NUT, HEX 5/16	8	(650033-07)
16	WASHER FLAT 5/16 TYPE B	4	(650441)
<b>17</b>	<b>MANUAL,INSTALLATION ESC-1</b>	<b>1</b>	
<b>18</b>	<b>MANUAL,OPERATION ESC-1</b>	<b>1</b>	
19	ASSY,FRONT PANEL ESC-1 (page 6)	1	635435-01 to 08
20	PWB ASSY 2WIRE INT BRD	1	(633079-02)
21	WIRE,GROUND,12 AWG,14 INCHES	1	(633893)
22	MOUNTING CLIP	4	(635036)
23	RAIL,MOUNTING STEEL	2	(635216)
24	QUICK PROGRAMMING GUIDE ESC-1	1	(635346)
25	WALL BRACKET	1	(635417)
26	MIB BRACKET ESC-1	2	(635490)
27	BRACKET BOARD ASSY (STA 1-24)	1	635488
28	BRACKET BOARD ASSY (STA 25-40)	1	635489
29	XMFR, WALL BRACKET ASSY	1	635865-01 to 04
30	JUNCTION, BOX COVER	1	(635431)
32	LABEL,POWER INPUT LINE	1	(635863)
33	HARNESS ASSY TERM BRD (1-24)	1	635447
34	HARNESS ASSY TERM BRD (25-40)	1	635448
35	HARNESS ASSY,TW/LINK INT	1	(635862)
36	BEZEL SUB ASSY	1	(635229)
37	WASHER, FLAT, CRES, #8	4	(650062-09)
38	SCREW PHL PNH HI-LO 8-18X ½	8	(650183-78)
39	RIVET BLIND	2	(650422-13)
40	LUG,SINGLE BARREL,SINGLE HOLE	2	(651645-01)
41	SCREW, #6-32 X 1/4" PH	4	(650480-12)
42	ARRESTOR,SURGE PIPE	1	D05110
43	ANTENNA PANEL ASSY	1	H41006
44	ANTENNA 450-470 MHz	1	H60140
45	SPACER,CIRUIT BOARD,EDGE HOLD	6	(650912-10)
46	MAXI INTERFACE BRD ( TWO-WIRE )	1	HN0610
47	MAXI INTERFACE BRD ( LINK )	1	HN0620
48	STUD PHILLIPS,OVAL STEEL	4	(651511)
49	RETAINER,BLACK NYLON	4	(651512)
50	GROUND WIRE ASSY, 12 AWG	1	(633893)
51	TERM,QDISC,FEMALE,.250	1	(651528)
52	TWIST LOCK	2	(651567)
53	TUBING,RUBBER 5/8"	4	(651570-04)

Note: Part Number enclosed in brackets ( ) are not available individually, but may be sold in assemblies or kits.

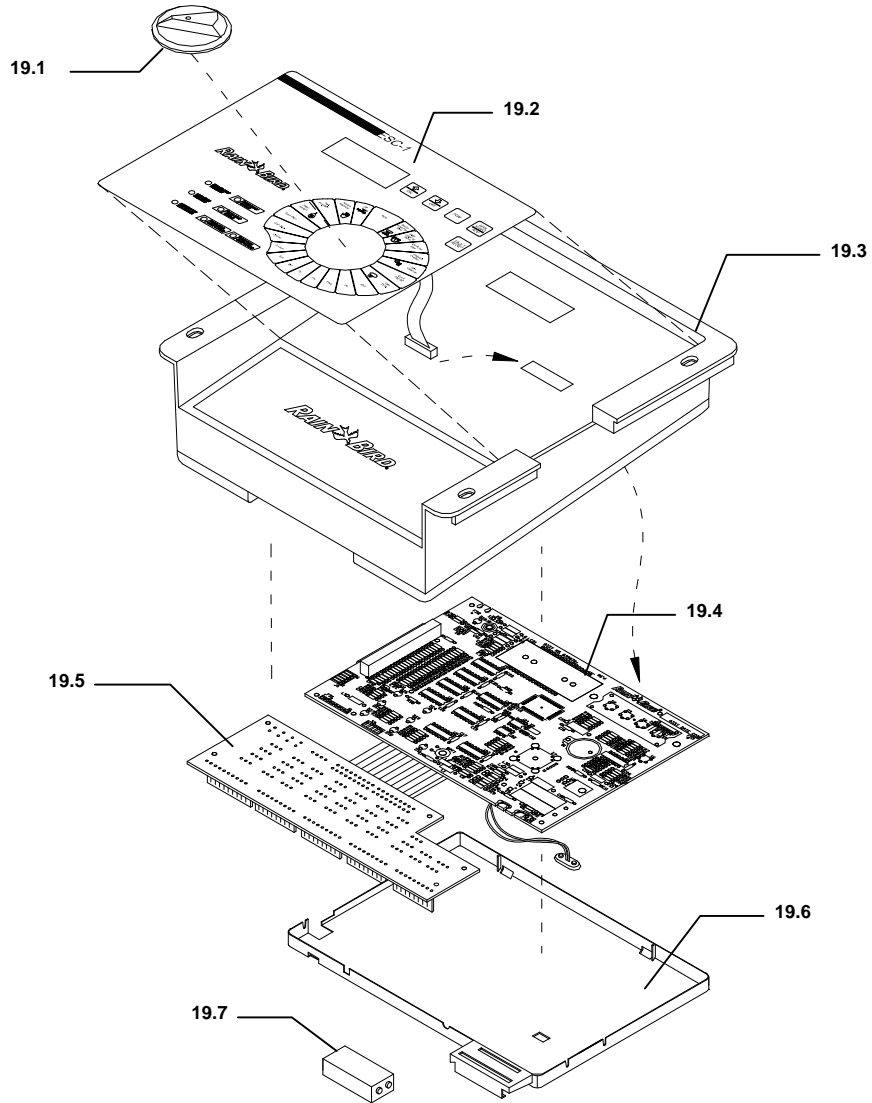


Ref.	Description	Qty.	Part Number
<b>2</b>	<b>DOOR RP SUB-ASSY RP</b>		<b>(635454-02)</b>
2.1	DOOR, PLASTIC PEDESTAL	1	(635031-02)
2.2	SCREW, SLFTPG, PNH, #6-20 .625, SS	2	(650440-26)
2.3	WEATHER-STRIP	1.75 ft	(651562)
2.4	DOOR LATCH 10LBS	1	(651569)



Ref.	Description	Qty.	Part Number
<b>3</b>	<b>LID RP SUB-ASSY</b>		<b>(635455-02)</b>
3.1	LID, PLASTIC PEDESTAL	1	(635432-02)
4	LOCK, NOTCHED CAM	1	(635192)
3.2	BRACKET, ALIGNMENT, SST	1	(635468)
3.3	PLUG, HOLE, SNAP-IN.	1	(651559)
3.4	GASKET, D SHAPE 3/8X 7/16	4 ft	(651573)

Note: Part Number enclosed in brackets ( ) are not available individually, but may be sold in assemblies or kits.



**Note: Part Number enclosed in brackets ( ) are not available individually, but may be sold in assemblies or kits.**

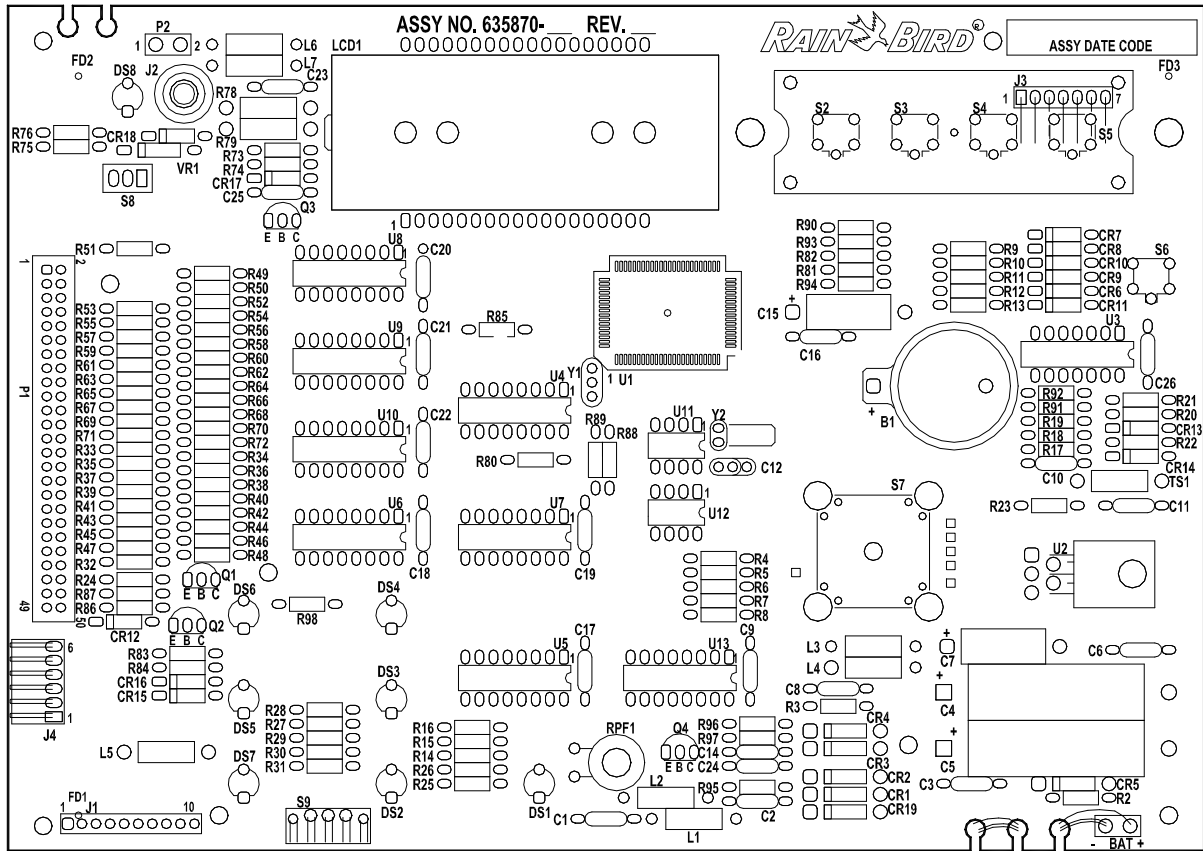


**Catalog Number XXXX**  
**Controller Assembly With Pedestal (ESC-1)**

Ref.	Description	Qty.	110 VAC			
			16 STA	24 STA	32 STA	40 STA
<b>19</b>	<b>CONTROL MODULE ESC-1</b>		<b>635435-01</b>	<b>635435-02</b>	<b>635435-03</b>	<b>635435-04</b>
19.1	FUNCTION SELECT KNOB ASSY, GRAY	1	630946	630946	630946	630946
19.2	MEMBRANE SWITCH OVERLAY	1	635372	635372	635372	635372
19.3	FRONT PANEL ESC-1	1	(635334)	(635334)	(635334)	(635334)
19.4	PWB ASSY ESC-1 CONTROLER BRD 16	1	(635870-01)	-	-	-
19.4	PWB ASSY ESC-1 CONTROLER BRD 32	1	-	(635870-02)	-	-
19.4	PWB ASSY ESC-1 CONTROLER BRD 24	1	-	-	(635870-03)	-
19.4	PWB ASSY ESC-1 CONTROLER BRD 40	1	-	-	-	(635870-04)
19.5	PWB ASSY,ESC-1 TRIAC BRD (16-110V)	1	635324-01	-	-	-
19.5	PWB ASSY,ESC-1 TRIAC BRD (24-110V)	1	-	635324-02	-	-
19.5	PWB ASSY,ESC-1 TRIAC BRD (32-110V)	1	-	-	635324-03	-
19.5	PWB ASSY,ESC-1 TRIAC BRD (40-110V)	1	-	-	-	635324-04
19.6	PLASTIC COVER	1	(631920)	(631920)	(631920)	(631920)
19.7	BATTERY, NICAD 7.2V	1	(650929)	(650929)	(650929)	(650929)

Ref.	Description	Qty.	220 VAC			
			16 STA	24 STA	32 STA	40 STA
<b>19</b>	<b>CONTROL MODULE ESC-1</b>		<b>635435-05</b>	<b>635435-06</b>	<b>635435-07</b>	<b>635435-08</b>
19.1	FUNCTION SELECT KNOB ASSY, GRAY	1	630946	630946	630946	630946
19.2	MEMBRANE SWITCH OVERLAY	1	635372	635372	635372	635372
19.3	FRONT PANEL ESC-1	1	(635334)	(635334)	(635334)	(635334)
19.4	PWB ASSY ESC-1 CONTROLER BRD 16	1	635870-01	-	-	-
19.4	PWB ASSY ESC-1 CONTROLER BRD 32	1	-	635870-02	-	-
19.4	PWB ASSY ESC-1 CONTROLER BRD 24	1	-	-	635870-03	-
19.4	PWB ASSY ESC-1 CONTROLER BRD 40	1	-	-	-	635870-04
19.5	PWB ASSY,ESC-1 TRIAC BRD (16-220V)	1	635324-05	-	-	-
19.5	PWB ASSY,ESC-1 TRIAC BRD (24-220V)	1	-	635324-06	-	-
19.5	PWB ASSY,ESC-1 TRIAC BRD (32-220V)	1	-	-	635324-07	-
19.5	PWB ASSY,ESC-1 TRIAC BRD (40-220V)	1	-	-	-	635324-08
19.6	PLASTIC COVER	1	(631920)	(631920)	(631920)	(631920)
19.7	BATTERY, NICAD 7.2V	1	(650929)	(650929)	(650929)	(650929)

**Note: Part Number enclosed in brackets ( ) are not available individually, but may be sold in assemblies or kits.**



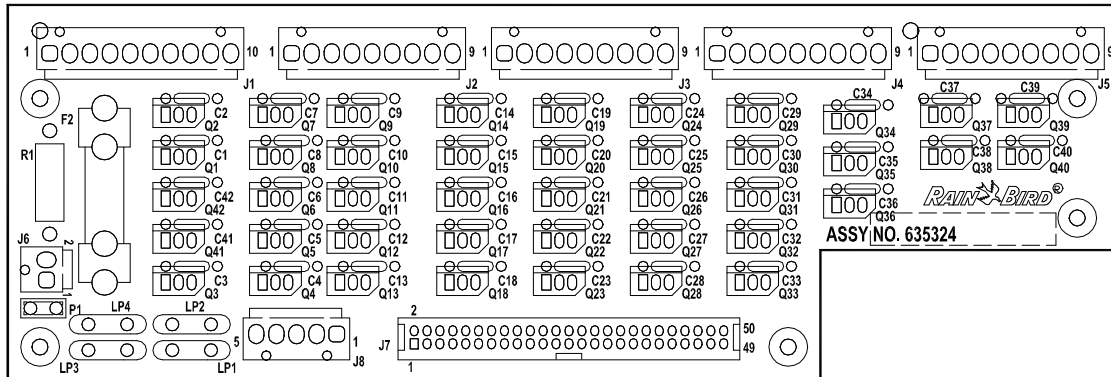
Ref.	Description	Qty.	STA 16	STA 24	STA 32	STA 40
<b>19.4</b>	<b>PWB CONTROLLER ASSY ESC-1</b>		<b>(635870-01)</b>	<b>(635870-02)</b>	<b>(635870-03)</b>	<b>(635870-04)</b>
S7	SWITCH, ROTARY	1	(630609)	(630609)	(630609)	(630609)
P2	SENSOR CABLE ASSY. 8.0	1	(632048-01)	(632048-01)	(632048-01)	(632048-01)
U1	MICROCONTROLLER, CMOS 8-BIT, OTP	1	(633088)	(633088)	(633088)	(633088)
P1	CABLE ASSY, HARNESS	1	(633090)	(633090)	(633090)	(633090)
LCD	LCD SPACER ESC-1/P.PEDES	1	(635339)	(635339)	(635339)	(635339)
(LDC)	DISPLAY, LIQUID CRYSTAL	1	(635361)	(635361)	(635361)	(635361)
-	PWB FAB, WATER PRO	1	(635617)	(635617)	(635617)	(635617)
C12	CAPACITOR CER DISC, 50V(MIN) 1PFT08200	1	(650012-04)	(650012-04)	(650012-04)	(650012-04)
(U2)	WASHER, FLAT #5 .010	1	(650023-03)	(650023-03)	(650023-03)	(650023-03)
VR1	DIODE ZENER 1N5232B 5.6V	1	(650038-71)	(650038-71)	(650038-71)	(650038-71)
C7, C15	CAPACITOR ELECT AX 10V 47MF	2	(650044-03)	(650044-03)	(650044-03)	(650044-03)

Note: Part Number enclosed in brackets ( ) are not available individually, but may be sold in assemblies or kits.



Ref.	Description	Qty.	STA 16	STA 24	STA 32	STA 40
BAT	BATTERY SNAP 9V	1	650075	650075	650075	650075
CR11-18	DIODE IN4148	8	(650037-01)	(650037-01)	(650037-01)	(650037-01)
CR9	DIODE IN4148	1	-	-	(650037-01)	(650037-01)
CR8	DIODE IN4148	1	(650037-01)	(650037-01)	-	-
CR7	DIODE IN4148	1	(650037-01)	-	(650037-01)	-
CR6	DIODE IN4148	1	(650037-01)	(650037-01)	(650037-01)	(650037-01)
CR1-5,19	DIODE 1N4002	6	(650077-02)	(650077-02)	(650077-02)	(650077-02)
R23,85	RES 1/4W 10% 10 OHM	2	(650079-25)	(650079-25)	(650079-25)	(650079-25)
R49-56,24,32,98	RESISTOR 1/4W 10% 150 OHM	11	(650079-53)	(650079-53)	(650079-53)	(650079-53)
R57-60	RESISTOR 1/4W 10% 150 OHM	4	(650079-53)	(650079-53)	(650079-53)	(650079-53)
R61-64	RESISTOR 1/4W 10% 150 OHM	4	(650079-53)	(650079-53)	(650079-53)	(650079-53)
R65-72	RESISTOR 1/4W 10% 150 OHM	8	-	(650079-53)	(650079-53)	(650079-53)
R33-40	RESISTOR 1/4W 10% 150 OHM	8	-	-	(650079-53)	(650079-53)
R41-48	RESISTOR 1/4W 10% 150 OHM	8	-	-	-	(650079-53)
R25-31	RESISTOR 1/4W 10% 470 OHM	7	(650079-65)	(650079-65)	(650079-65)	(650079-65)
R95,17	RESISTOR 1/4W 10% 1.0 K	2	(650079-73)	(650079-73)	(650079-73)	(650079-73)
R76	RESISTOR 1/4W 10% 2.0 K	1	(650079-80)	(650079-80)	(650079-80)	(650079-80)
R2	RESISTOR 1/4W 10% 3.3 K	1	(650079-85)	(650079-85)	(650079-85)	(650079-85)
R20-22,84,87-90	RESISTOR 1/4W 10% 4.7 K	8	(650079-89)	(650079-89)	(650079-89)	(650079-89)
R92	RESISTOR 1/4W 10% 8.2 K	1	(650079-95)	(650079-95)	(650079-95)	(650079-95)
R23,R85	RESISTOR 1/4W 10% 10 K	2	(650079-97)	(650079-97)	(650079-97)	(650079-97)
R18,80,83,86	RESISTOR 1/4W 10% 47 K	4	(650080-14)	(650080-14)	(650080-14)	(650080-14)
R4-6,73,81,82,93,94	RESISTOR 1/4W 10% 100 K	18	(650080-22)	(650080-22)	(650080-22)	(650080-22)
R3,74,75,96,97	RESISTOR 1/4W 10% 220 K	5	(650080-30)	(650080-30)	(650080-30)	(650080-30)
C3,8,9,10,14,16,17,20,21,24	CAPACITOR 10MF 50V	10	(650085-55)	(650085-55)	(650085-55)	(650085-55)
C18	CAPACITOR 10MF 50V	1	-	-	(650085-55)	(650085-55)
C19	CAPACITOR 10MF 50V	1	-	-	-	(650085-55)
(U2)	RIVET BLIND 1/8 X .328	1	(650139-05)	(650139-05)	(650139-05)	(650139-05)
R78,79	RESISTOR 1/2W 10% 1.0K	2	(650202-73)	(650202-73)	(650202-73)	(650202-73)
L1-7	INDUCTOR FERRITE	7	650300-05	650300-05	650300-05	650300-05
U3	IC LM324 QUAD OP AMP	1	650358	650358	650358	650358
Q3,4	TRANSISTOR MPS 4124	2	650367	650367	650367	650367
Q1,2	TRANSISTOR PNP 625 MW	2	650369	650369	650369	650369
Y2	CRYSTAL 861-T 32.768	1	(650484)	(650484)	(650484)	(650484)
J3	HEADER, R ANGLE, 100 CTR	1	(650530-06)	(650530-06)	(650530-06)	(650530-06)
TS1	TRANSIENT SUPPRESSOR 6.8V	1	(650595-01)	(650595-01)	(650595-01)	(650595-01)
C5	CAPACITOR, ELECTL, 330UF AX 25V	1	(650624)	(650624)	(650624)	(650624)
U4	IC.DCDR3TO 8LINE DIP16 74HC138	1	650699	650699	650699	650699
C1,2,11,23,25	CAPACITOR, .01 UF 100V	5	(650882-01)	(650882-01)	(650882-01)	650882-01
C6	CAPACITOR 100UF 10% 100V	1	(650883-13)	(650883-13)	(650883-13)	(650883-13)
C26	CAPACITOR,CERAMIC 220PF	1	(650883-17)	(650883-17)	(650883-17)	(650883-17)
U5,8,9	IC 74HC259 8 BIT	3	650889	650889	650889	650889
U10	IC 74HC259 8 BIT	1	-	650889	650889	650889
U6	IC 74HC259 8 BIT	1	-	-	650889	650889
U7	IC 74HC259 8 BIT	1	-	-	-	650889
DS1-7	LED, CLEAR RED SUPER BRIGHT	7	650910	650910	650910	650910
U2	REGULATOR,LOW DROP,5V-L4947H	1	(650962)	(650962)	(650962)	(650962)
B1	BATTERY,LITHIUM,3.0 VOLTS	1	(651009)	(651009)	(651009)	(651009)
(B1)	HOLDER,COIN BATTERY,20MM	1	(651010)	(651010)	(651010)	(651010)
U11	I.C.,TRICKLE CHARGE,DS1302	1	(651011)	(651011)	(651011)	(651011)
U12	SERIAL EEPROM,4K X8, 24C32	1	(651012)	(651012)	(651012)	(651012)
Y1	RESONATOR,CERAMIC,8.00MHZ	1	(651013)	(651013)	(651013)	(651013)
U13	I.C.,8 BIT INPUT,74HC251	1	(651014)	(651014)	(651014)	(651014)
C4	CAPACITOR,1000UF,25V ELECT,AX	1	(651054-12)	(651054-12)	(651054-12)	(651054-12)
RPF1	POLYSWITCH,RXE SERIES	1	(651055-08)	(651055-08)	(651055-08)	(651055-08)
S9	SWITCH SLIDE RIGHT ANGLE	1	(651292)	(651292)	(651292)	(651292)
J4	HEADER,VERTICAL SINGLE	1	(651565-06)	(651565-06)	(651565-06)	(651565-06)

**Note: Part Number enclosed in brackets ( ) are not available individually, but may be sold in assemblies or kits.**

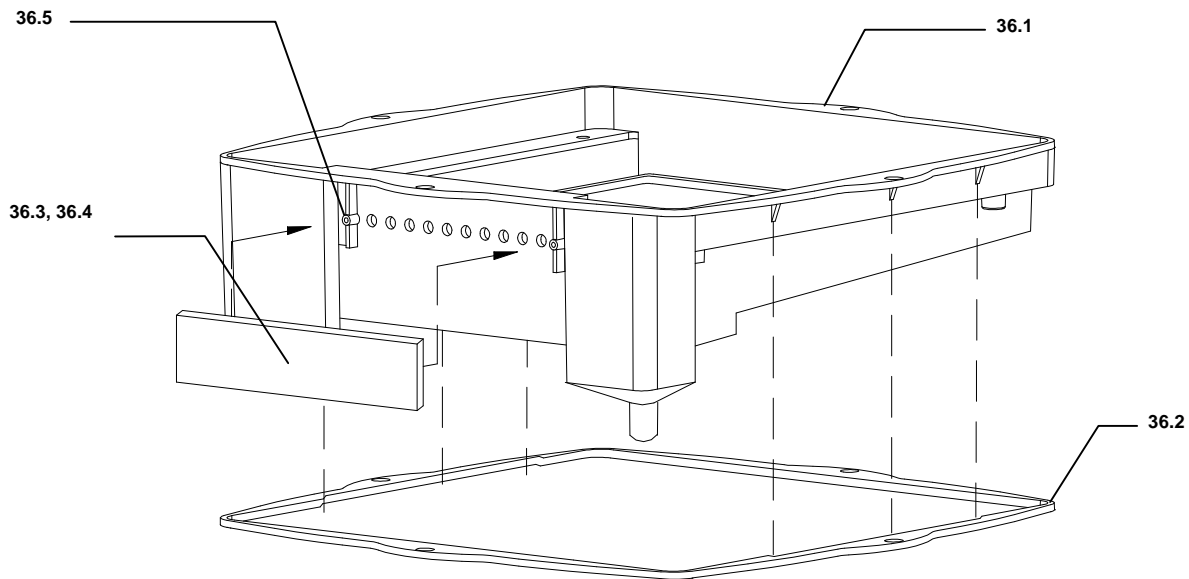


Ref.	Description	Qty.	110 VAC			
			STA 16	STA 24	STA 32	STA 40
<b>19.5</b>	<b>TRIAC OUTPUT BOARD</b>		<b>635324-01</b>	<b>635324-02</b>	<b>635324-03</b>	<b>635324-04</b>
-	PWB FAB, TRIAC BOARD	1	(635325)	(635325)	(635325)	(635325)
(F2)	CLIP FUSE 1/4 DIA. PCB MOUNT	2	(650098)	(650098)	(650098)	(650098)
F2	FUSE, SLOWBLOW, 250V, 2.5 AMP	1	(650431-28)	(650431-28)	(650431-28)	(650431-28)
R1	RESISTOR, METAL OXIDE .10HM 2W 2%	1	(650766-01)	(650766-01)	(650766-01)	(650766-01)
J7	HEADER, 100CTR, 50CKT, LO PROFIL	1	(650872-50)	(650872-50)	(650872-50)	(650872-50)
LP1-4	MOV, 47 VOLTS 1000 AMPS	4	650875	650875	650875	650875
J1	HEADER .156CTR, 9CKT, STRT, LKNG	1	(650893-10)	(650893-10)	(650893-10)	(650893-10)
C1-16, 41, 42	CAPACITOR, .01 UF 100V	18	(650882-01)	(650882-01)	(650882-01)	(650882-01)
C17-24	CAPACITOR, .01 UF 100V	8	-	(650882-01)	(650882-01)	(650882-01)
C25-32	CAPACITOR, .01 UF 100V	8	-	-	(650882-01)	(650882-01)
C33-40	CAPACITOR, .01 UF 100V	8	-	-	-	(650882-01)
J2	HEADER .156CTR, 9CKT, STRT, LKNG	1	(650893-09)	(650893-09)	(650893-09)	(650893-09)
J3	HEADER .156CTR, 9CKT, STRT, LKNG	1	-	(650893-09)	(650893-09)	(650893-09)
J4	HEADER .156CTR, 9CKT, STRT, LKNG	1	-	-	(650893-09)	(650893-09)
J5	HEADER .156CTR, 9CKT, STRT, LKNG	1	-	-	-	(650893-09)
Q1-16, 41-42	TRIAC, 6AMP, 400V, ISOLATED TAB	18	651138	651138	651138	651138
Q17-24	TRIAC, 6AMP, 400V, ISOLATED TAB	8	-	651138	651138	651138
Q25-32	TRIAC, 6AMP, 400V, ISOLATED TAB	8	-	-	651138	651138
Q33-40	TRIAC, 6AMP, 400V, ISOLATED TAB	8	-	-	-	651138
J6	HEADER, STRAIGHT, SQUARE 2 POS	1	(651491-02)	(651491-02)	(651491-02)	(651491-02)
J8	HEADER, STRAIGHT, SQUARE 5 POS	1	(651491-05)	(651491-05)	(651491-05)	(651491-05)

**Note: Part Number enclosed in brackets ( ) are not available individually, but may be sold in assemblies or kits.**

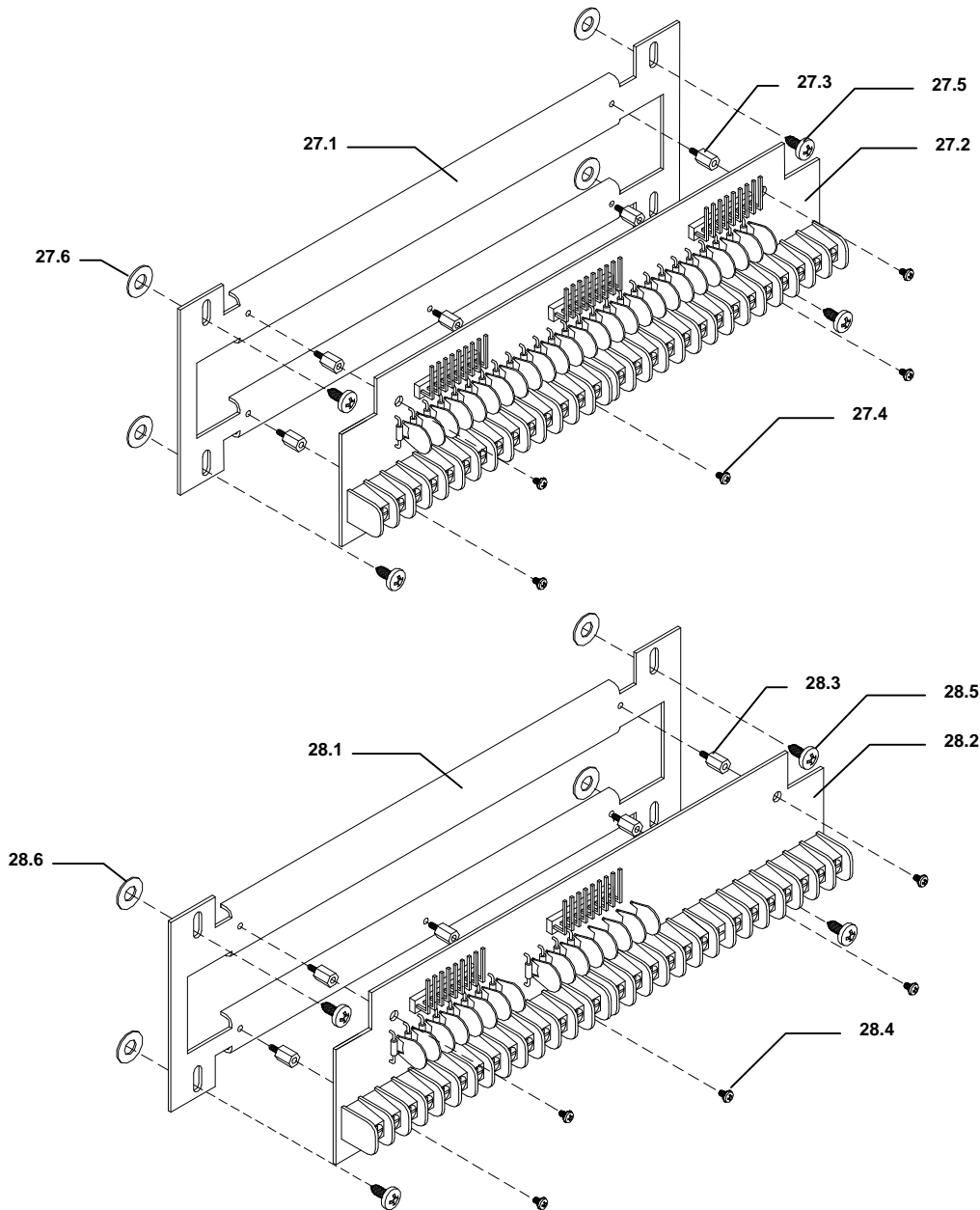
Ref.	Description	Qty.	220 VAC			
			STA 16	STA 24	STA 32	STA 40
<b>19.5</b>	<b>TRIAC OUTPUT BOARD</b>		<b>635324-05</b>	<b>635324-06</b>	<b>635324-07</b>	<b>635324-08</b>
-	PWB FAB, TRIAC BOARD	1	(635325)	(635325)	(635325)	(635325)
(F2)	MINI FUSE CLIP	2	(650380)	(650380)	(650380)	(650380)
F2	FUSE, MINI .197 DIA 220V 2.5 AMP	1	(650966-14)	(650966-14)	(650966-14)	(650966-14)
R1	RESISTOR, METAL OXIDE .1OHM 2W 2%	1	(650766-01)	(650766-01)	(650766-01)	(650766-01)
J7	HEADER,100CTR,50CKT,LO PROFIL	1	(650872-50)	(650872-50)	(650872-50)	(650872-50)
LP1-4	MOV, 47 VOLTS 1000 AMPS	4	650875	650875	650875	650875
J1	HEADER .156CTR,9CKT,STRT,LKNG	1	(650893-10)	(650893-10)	(650893-10)	(650893-10)
C1-16,41,42	CAPACITOR, .01 UF 100V	18	(650882-01)	(650882-01)	(650882-01)	(650882-01)
C17-24	CAPACITOR, .01 UF 100V	8	-	(650882-01)	(650882-01)	(650882-01)
C25-32	CAPACITOR, .01 UF 100V	8	-	-	(650882-01)	(650882-01)
C33-40	CAPACITOR, .01 UF 100V	8	-	-	-	(650882-01)
J2	HEADER .156CTR,9CKT,STRT,LKNG	1	(650893-09)	(650893-09)	(650893-09)	(650893-09)
J3	HEADER .156CTR,9CKT,STRT,LKNG	1	-	(650893-09)	(650893-09)	(650893-09)
J4	HEADER .156CTR,9CKT,STRT,LKNG	1	-	-	(650893-09)	(650893-09)
J5	HEADER .156CTR,9CKT,STRT,LKNG	1	-	-	-	(650893-09)
Q1-16,41-42	TRIAC,6AMP,400V,ISOLATED TAB	18	651138	651138	651138	651138
Q17-24	TRIAC,6AMP,400V,ISOLATED TAB	8	-	651138	651138	651138
Q25-32	TRIAC,6AMP,400V,ISOLATED TAB	8	-	-	651138	651138
Q33-40	TRIAC,6AMP,400V,ISOLATED TAB	8	-	-	-	651138
J6	HEADER,STRAIGHT,SQUARE 2 POS	1	(651491-02)	(651491-02)	(651491-02)	(651491-02)
J8	HEADER,STRAIGHT,SQUARE 5 POS	1	(651491-05)	(651491-05)	(651491-05)	(651491-05)

**Note: Part Number enclosed in brackets ( ) are not available individually, but may be sold in assemblies or kits.**



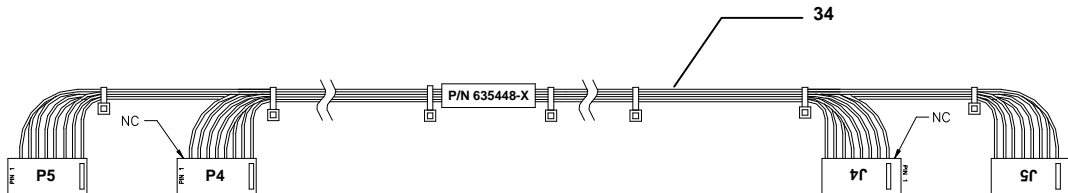
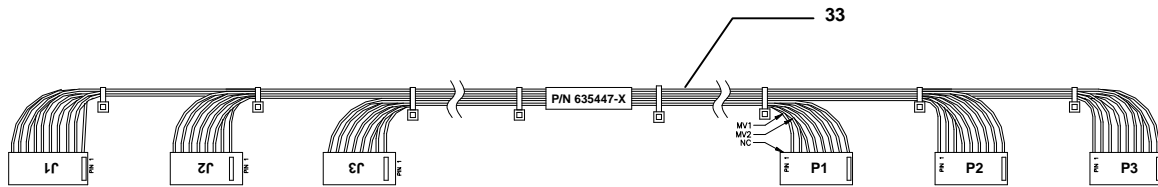
<b>Ref.</b>	<b>Description</b>	<b>Qty.</b>	<b>Part Number</b>
<b>36</b>	<b>BEZEL PLASTIC SUB-ASSY</b>	<b>1</b>	<b>(635229)</b>
36.1	BEZEL TRAY PLASTIC PEDESTAL	1	(635496)
36.2	GASKET,FOAM BEZEL TRAY	1	(651568-01)
36.3	PWB ASSY; FRONT PANEL LIGHT	1	635118
36.4	SCREW, PHH, RNDWSHRHD, #4-24 .25	2	(650563-22)
36.5	GASKET,FOAM BEZEL TRAY	1	(651568-02)

**Note: Part Number enclosed in brackets ( ) are not available individually, but may be sold in assemblies or kits.**



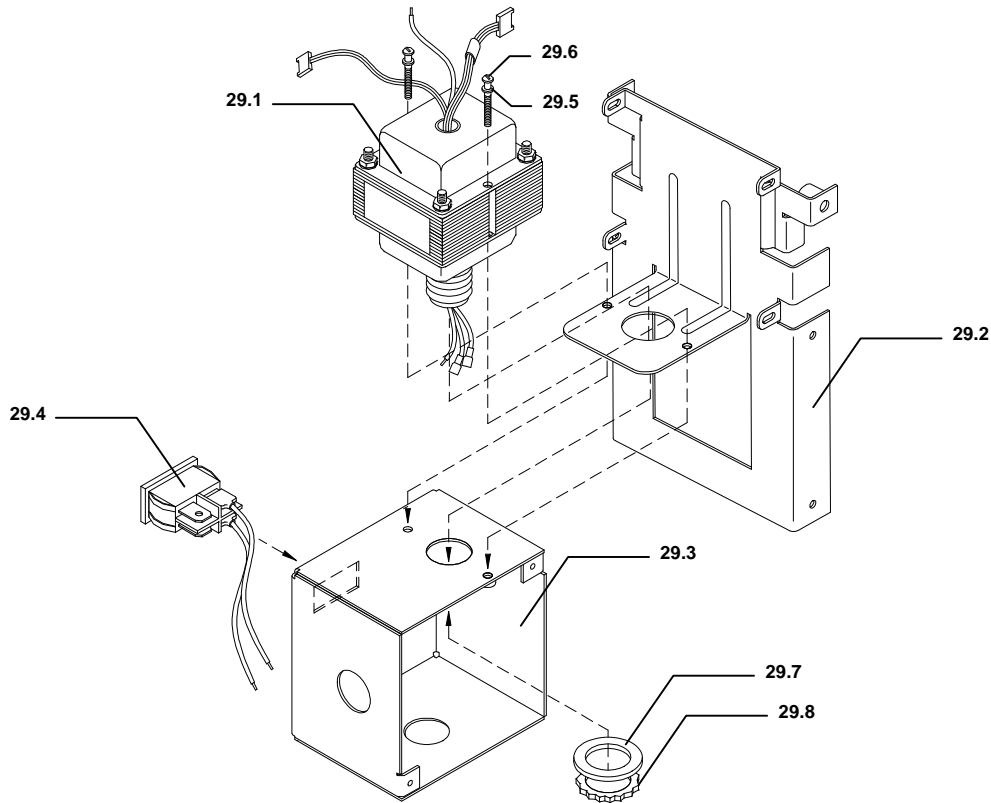
Ref.	Description	Qty.	Part Number
<b>27</b>	<b>TERMINAL BOARD ASSEMBLY STATION 1-24</b>		<b>635488</b>
27.1	PLATE, TERMINAL STRIP, STE	1	(635217)
27.2	PWB ASSY, ESC-1 TERM BRD	1	(635438-02)
27.3	STANDOFF HEX 1/4 X .25 6-32	5	(650047-01)
27.4	SCREW, #6-32 X 1/4" PH	5	(650480-12)
27.5	SCREW, CAPTIVE PANEL PAN	4	(651517-06)
27.6	WASHER, PANEL SCREW RETAINER	4	(651518-06)
<b>28</b>	<b>TERMINAL BOARD ASSEMBLY STATION 25-40</b>		<b>635489</b>
28.1	PLATE, TERMINAL STRIP, STE	1	(635217)
28.2	PWB ASSY, ESC-1 TERM BRD	1	(635445-04)
28.3	STANDOFF HEX 1/4 X .25 6-32	5	(650047-01)
28.4	SCREW, #6-32 X 1/4" PH	5	(650480-12)
28.5	SCREW, CAPTIVE PANEL PAN	4	(651517-06)
28.6	WASHER, PANEL SCREW RETAINER	4	(651518-06)

Note: Part Number enclosed in brackets ( ) are not available individually, but may be sold in assemblies or kits.



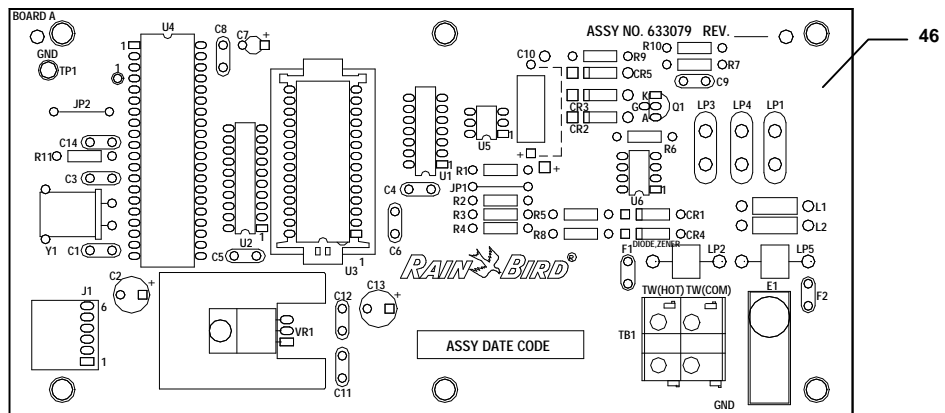
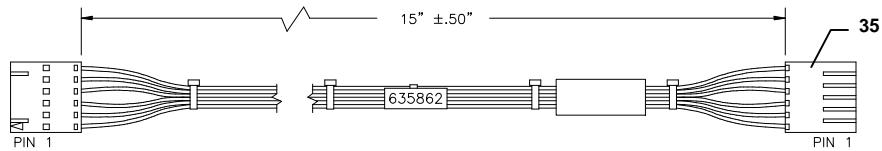
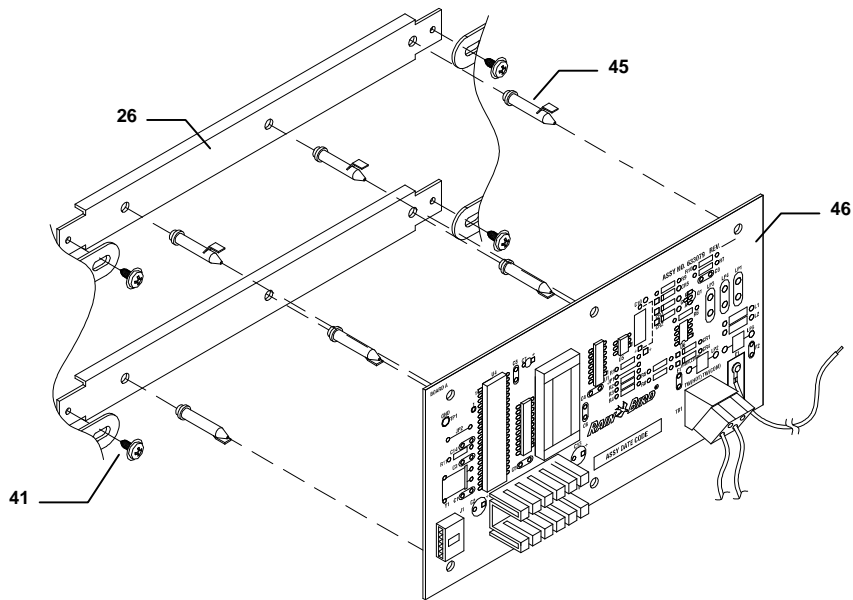
Ref.	Description	Qty.	Part Number
33	HARNESS ASSY TERM BRD (STA 1-24)	1	635447
34	HARNESS ASSY TERM BRD (STA 25-40)	1	635448

Note: Part Number enclosed in brackets ( ) are not available individually, but may be sold in assemblies or kits.



Ref.	Description	Qty	110 VAC	220 VAC	110 VAC LINK	220 VAC LINK
<b>29</b>	<b>POWER SUPPLY ESC-1</b>		<b>635865-01</b>	<b>635865-02</b>	<b>635865-03</b>	<b>635865-04</b>
29.1	TRANSFORMER ASSY,110 V	1	633148-01	-	-	-
29.1	TRANSFORMER ASSY,220 V	1	-	633148-02	-	-
29.1	TRANSFORMER ASSY,110 V (LINK)	1	-	-	633165-01	-
29.1	TRANSFORMER ASSY,220 V (LINK)	1	-	-	-	(633165-02)
29.2	WALL BRACKET	1	(635417)	(635417)	(635417)	(635417)
29.3	BOX, JUNCTION	1	(635429)	(635429)	(635429)	(635429)
29.4	MAIN SW ASSY, PP	1	635861-01	635861-01	635861-01	635861-01
29.5	WASHER #6 LOCK-SPRING	2	(650029-04)	(650029-04)	(650029-04)	(650029-04)
29.6	SCREW 8-32 X 2 3/4 PN HD	2	(650106-56)	(650106-56)	(650106-56)	(650106-56)
29.7	LOCK WASHER, EXTERNAL TOOTH	1	(651389)	(651389)	(651389)	(651389)
29.8	LOCKNUT CONDUIT	1	(628013)	(628013)	(628013)	(628013)

Note: Part Number enclosed in brackets ( ) are not available individually, but may be sold in assemblies or kits.

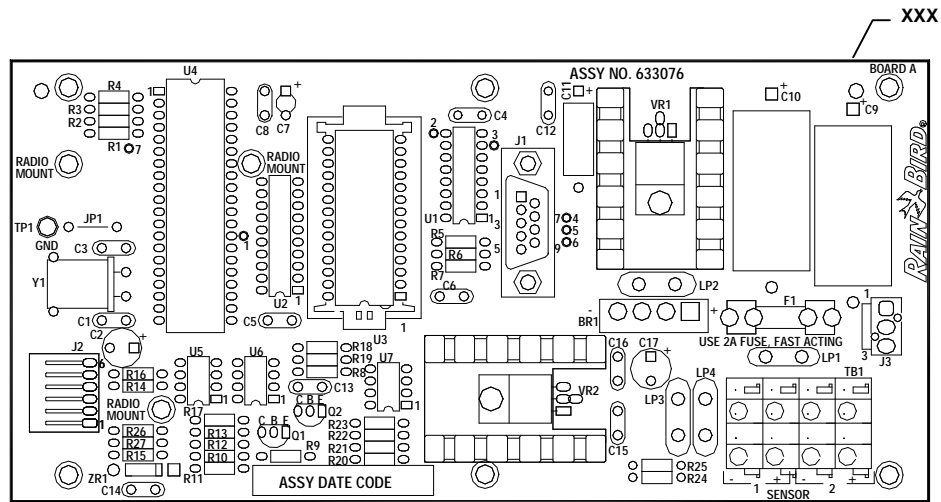
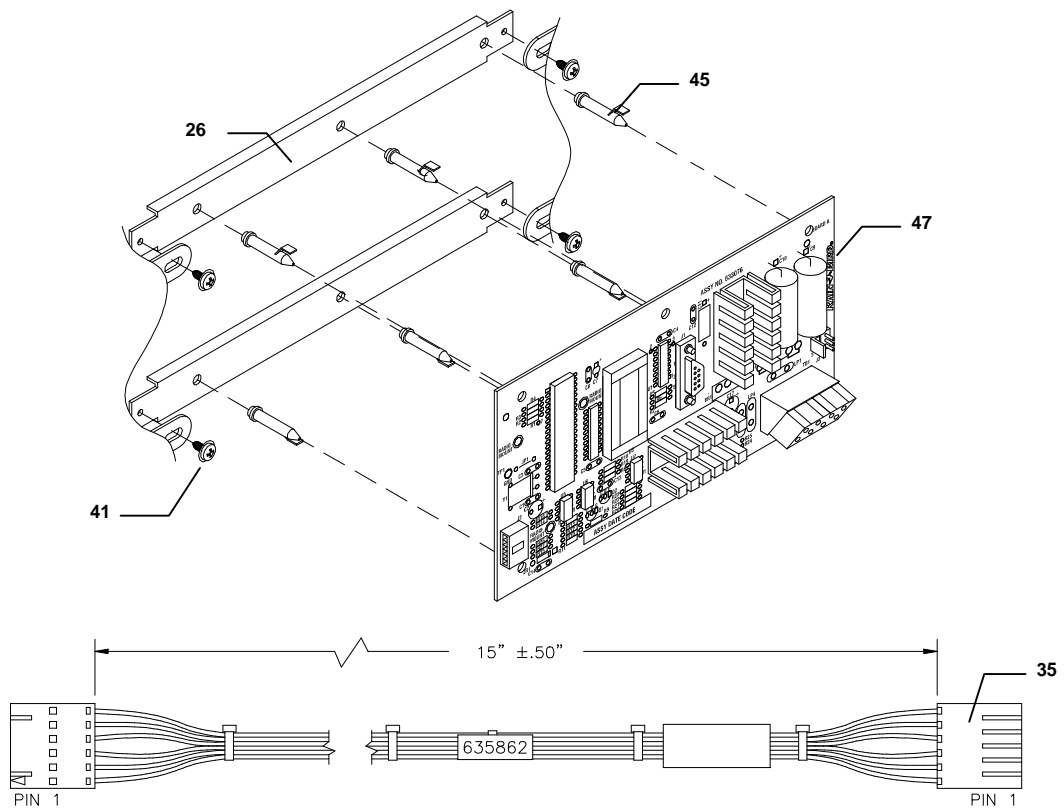


**Note: Part Number enclosed in brackets ( ) are not available individually, but may be sold in assemblies or kits.**



Ref.	Description	Qty.	Part Number
	<b>MAXI INTERFACE BOARD KIT (TWO-WIRE)</b>		<b>HN0610</b>
26	MIB BRACKET ESC-1	2	(635490)
35	HARNESS ASSY, TW/LINK INT	1	(635862)
45	SPACER, CIRCUIT BOARD EDGE	6	(650912-09)
41	SCREW SELF SEALING 6-32 x .250	4	(650480-12)
46	MAXI INTERFACE BOARD (MIB) TWO WIRE	1	(633079-02)
LP2,5	PROTECTOR, SURGE, SPARK GAP	2	624625
-	PWB FAB,2WIRE INTFC BRD	1	(633080)
U3	SOFTWARE ASSY,2WIRE INTFC	1	633321-04
C1,3	CAPACITOR CERAMIC DISC,50V(MIN)1PFT08200	2	(650012-15)
C4,5,6,8,11,12,14	CAPACITOR CERAMIC 0.1MF 50V	7	(650013-45)
LP1,3,4	MOV 68VOLTS 500AMPS	3	(650016)
CR1,4	DIODE ZENER 1N5237 8.2V	2	(650038-12)
C9	CAPACITOR 001UF 100V	1	(650040-57)
C10	CAPACITOR ELECT AX 50V 47MF	1	(650046-13)
U5	IC MOC3011	1	650070-01
CR2,3,5	DIODE 1N4002	3	(650077-02)
R1	RESISTOR 1/4W 10% 270 OHM	1	(650079-59)
R7,10	RESISTOR 1/4W 10% 1.0 K	2	(650079-73)
R6	RESISTOR 1/4W 10% 1.3K	1	(650079-76)
R9,11	RESISTOR 1/4W 10% 4.7 K	2	(650079-89)
R2,3,5,8	RESISTOR 1/4W 10% 47 K	4	(650080-14)
R4	RESISTOR 1/4W 10% 100 K	1	(650080-22)
(VR1)	RIVET BLIND 1/8 X .328	1	(650139-05)
L1,2	INDUCTOR FERRITE	2	(650300-05)
VR1	VOLTAGE REGULATOR 5V 7805	1	(650332)
(VR1)	HEATSINK TO-220 HP	1	(650335)
Q1	RECTIFIER 2N5062 SILICON	1	(650375)
U6	IC, OPTO-COUPLER HCPL-2731	1	650445
(U3)	SOCKET IC CARRIER 28PI	1	650518-02
U1	IC, INVERTER 74HC14	1	650540
C7	CAPACITOR 2.2UF 25V TANTALUM	1	(650583-03)
C2,C13	CAPACITOR 22UF 25V TANTALUM	2	(650583-09)
U2	IC, 74HC373 3 STATE OCT LATCH	1	650611
Y1	CRYSTAL, 11.0592 MHZ	1	650721
U4	IC, MICROCONTROLLER,80C32	1	651031
F1,F2	POLYSWITCH,RXE SERIES	2	(651055-08)
TB1	TERM BLK300SPC W/2CNDCTS 2CKT	1	(651499)
J1	HEADER,R.ANGLE,SINGLE ROW	1	(651523-06)

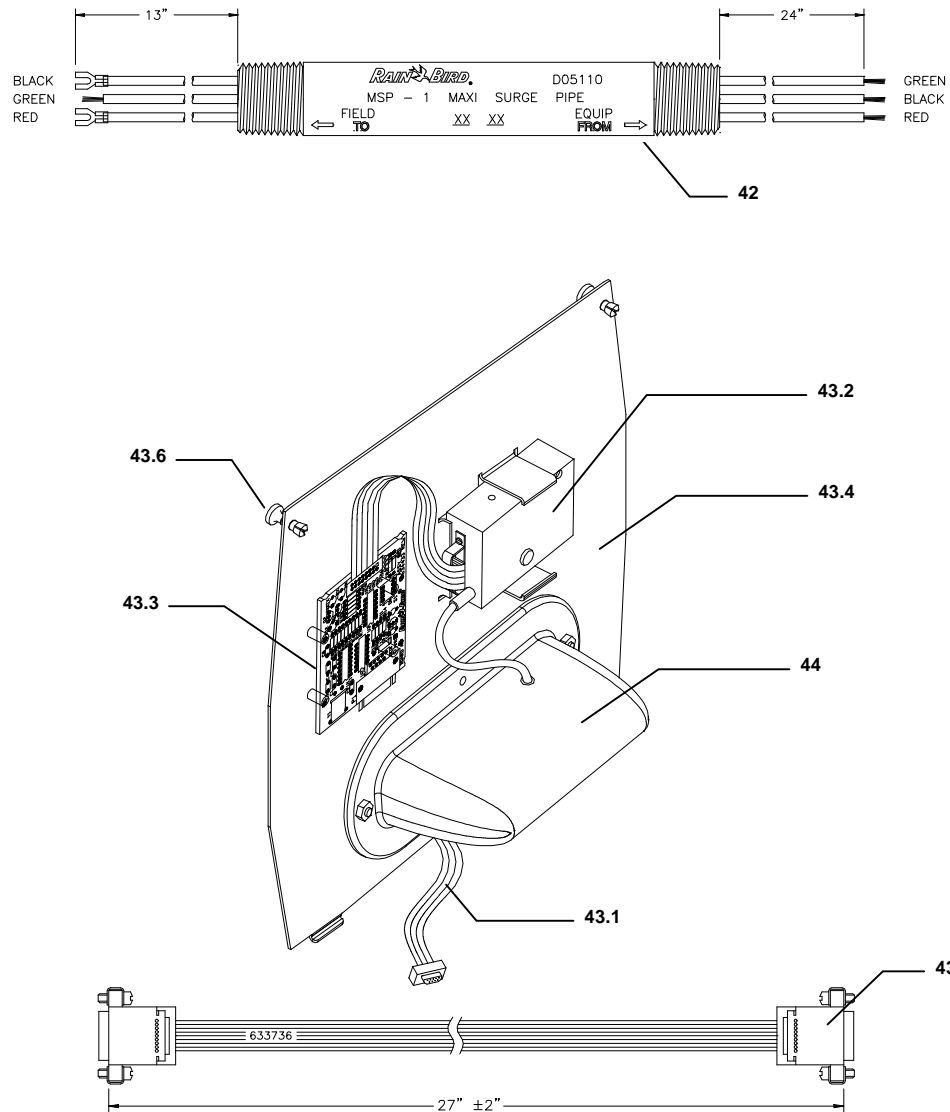
Note: Part Number enclosed in brackets ( ) are not available individually, but may be sold in assemblies or kits.



**Note: Part Number enclosed in brackets ( ) are not available individually, but may be sold in assemblies or kits.**

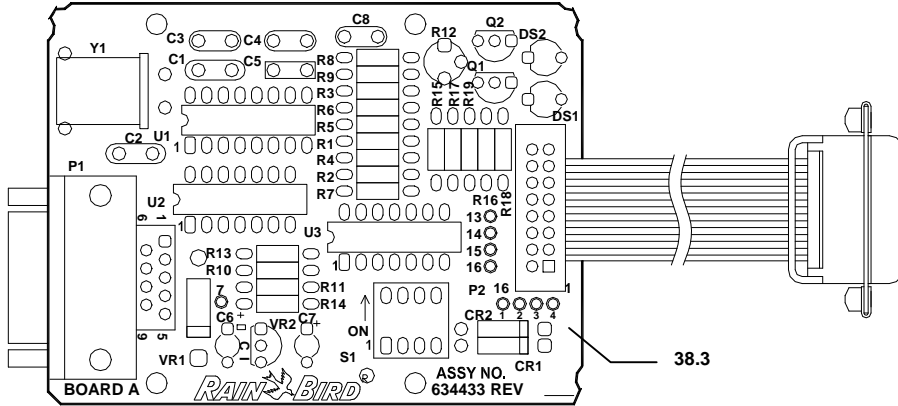
Ref.	Description	Qty.	Part Number
<b>MAXI INTERFACE BOARD KIT (LINK)</b>			<b>HN0620</b>
26	MIB BRACKET ESC-1	2	(635490)
35	HARNESS ASSY, TW/LINK INT	1	(635862)
45	SPACER, CIRCUIT BOARD EDGE	6	(650912-09)
41	SCREW SELF SEALING 6-32 x .250	4	(650480-12)
47	MAXI INTERFACE BOARD (MIB) LINK	1	(633076-02)
S1	SWITCH,DIP,SP ST	1	(631012-02)
-	PWB FAB,LINK INTFC BRD	1	(633077)
U3	SOFTWARE ASSY,LINK INTFC	1	(633323-03)
C1,C3	CAPACITOR CERAMIC DISC,50V(MIN)1PFT08200	2	(650012-15)
C4-6,8,12,14,15,16	CAPACITOR CERAMIC 0.1MF 50V	8	(650013-45)
C13	CAPACITOR CERAMIC 500V .010MF	1	(650014-27)
LP1-4	MOV 33VOLTS 500AMPS	4	650015
ZR1	DIODE ZENER 1N5231B 5.1V	1	(650038-70)
C11	CAPACITOR ELECT AX 25V 47MF	1	(650045-08)
R14	RESISTOR 1/4W 10% 100 OHM	1	650079-49
R16,17	RESISTOR 1/4W 10% 270 OHM	2	(650079-59)
R20-23	RESISTOR 1/4W 10% 1.0 K	4	(650079-73)
R15	RESISTOR 1/4W 10% 1.5 K	1	(650079-77)
R24,25,26	RESISTOR 1/4W 10% 2.0 K	3	(650079-80)
R5-9,R11,13,18,19	RESISTOR 1/4W 10% 4.7 K	9	650079-89
R27	RESISTOR 1/4W 10% 10 K	1	(650079-97)
R1-4,10,12	RESISTOR 1/4W 10% 47 K	6	(650080-14)
(VR1,2)	RIVET BLIND 1/8 X .328	2	(650139-05)
F1	FUSE 5X20MM 2AMPS	1	(650307-03)
(F1)	CLIP FUSE.197DIA PCB MNT	2	(650308)
VR2	VOLTAGE REGULATOR 5V 7805	1	650332
(VR1,2)	HEATSINK TO-220 HP	2	(650335)
TP1	TERMINAL TEST PT .067-078	1	(650336-01)
Q1,2	TRANSISTOR PNP 625 MW	2	650369
U5,6,7	IC, OPTO-COUPLER HCPL-2731	3	650445
(U3)	SOCKET IC CARRIER 28PI	1	650518-02
BR1	BRIDGE RECTIFIER,200V 4AMP SIP	1	650581-03
C7	CAPACITOR 2.2UF 25V TANTALUM	1	650583-03
C2,17	CAPACITOR 22UF 25V TANTALUM	2	650583-09
J1	CONNECTOR	1	(650610-05)
U2	IC, 74HC373 3 STATE OCT LATCH	1	650611
(J1)	JACK SOCKET KIT	1	(650620)
Y1	CRYSTAL, 11.0592 MHZ	1	650721
U1	IC,74LS367	1	650776
J2	HEADER, ST. SQ. PIN 3 POS.	1	(650893-03)
VR1	VOLTAGE REGULATOR 8V,7808	1	650939
C9,C10	CAPACITOR ELECT. AXIAL 25V 3300MF	2	(650954)
U4	IC,MICROCONTROLLER,80C32	1	651031
TB1	TERM BLK300SPC W/2CNDCTS 4CKTS	1	(651498)
J2	HEADER,R.ANGLE,SINGLE ROW	1	(651523-06)

**Note: Part Number enclosed in brackets ( ) are not available individually, but may be sold in assemblies or kits.**



Ref.	Description	Qty.	Part Number
42	TWO WIRE PIPE SURGE PROTECTOR (MSP-1)		D05110
43	ANTENNA PANEL ASSY /W RADIO (NO ANTENNA)		H41006
43.1	CABLE ASSY,MODEM-SCM	1	633736
43.2	RF,JSLM,SYN,RADIO,ASSY	1	H59100
43.3	PWB ASSY WIRELESS MODEM	1	634433
43.4	METAL,ANTENNA PANEL	1	635267
43.5	RETAINER,PUSH TYPE	2	(651591)
44	ANTENNA 450-470MHZ		H60140

Note: Part Number enclosed in brackets ( ) are not available individually, but may be sold in assemblies or kits.



Ref.	Description	Qty.	Part Number
<b>43.3</b>	<b>ASSY WIRELESS MODEM</b>		<b>634433</b>
C5	CAP RAD.33MFD 50V	1	(626408)
P2	CABLE ASSY. COMBOX	1	(632367)
C1,3	CAPACITOR CER DISC,50V(MIN)1PFT08200	2	(650012-10)
C2,4,8	CAPACITOR CER 0.1MF 50V	3	(650013-45)
CR1	DIODE 1N4002	1	650077-02
R15,16	RESISTOR 1/4W 10% 470 OHM	2	(650079-65)
R17,18	RESISTOR 1/4W 10% 4.7 K	2	650079-89
R5	RESISTOR 1/4W 10% 10 K	1	(650079-97)
R3	RESISTOR 1/4W 10% 20 K	1	(650080-05)
R1,2,7,10,11,13,14,19	RESISTOR 1/4W 10% 47 K	8	(650080-14)
R6	RESISTOR 1/4W 10% 56 K	1	(650080-16)
R4	RESISTOR 1/4W 10% 100 K	1	(650080-22)
(U1)	SOCKET,DIP,LOW PROFILE 16 PINS	1	(650081-03)
Q1,Q2	TRANSISTOR, NPN 600MW PN2222	2	650084
U2	IC, INVERTER 74HC14	1	650540
C7	CAPACITOR 2.2UFD 25V TANTALUM	1	650583-03
C6	CAPACITOR 22UFD 25V TANTALUM	1	650583-09
VR1	TRANSIENT SUPPRESSOR 18V	1	650595-22
(CR2)	WIRE, A.I.	1	(650625-03)
R12	POT, 10K OHM 1/4" SINGLE TURN	1	(650739-10)
Y1	CRYSTAL, 3.579545 MHZ	1	(650759)
DS1,2	LED, CLEAR RED SUPER BRIGHT	2	650910
U3	IC QUAD 2-INPUT EX-OR	1	650937
VR2	VOLTAGE REGULATOR	1	650938
P1	CONNECTOR PLUG RIGHT ANGLE PC	1	(651130-02)
U1	IC, M X 614 1200 BPS	1	651141

**Note: Part Number enclosed in brackets ( ) are not available individually, but may be sold in assemblies or kits.**