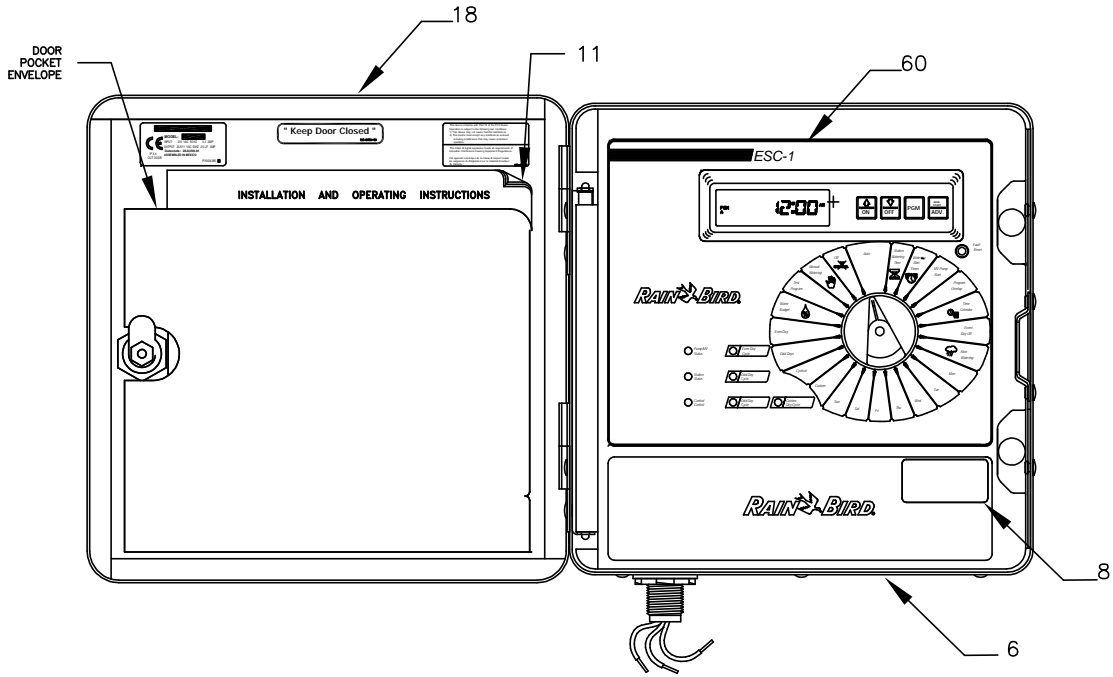
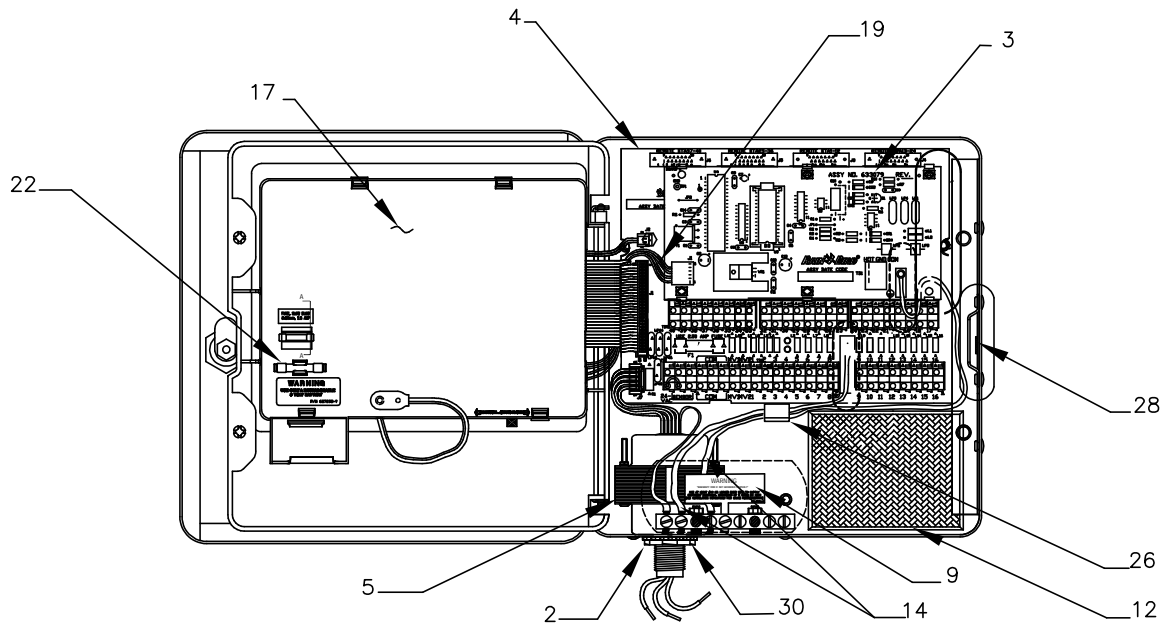


ESC-1 Front Panel & Door Assemblies - Front Panel in Closed Position

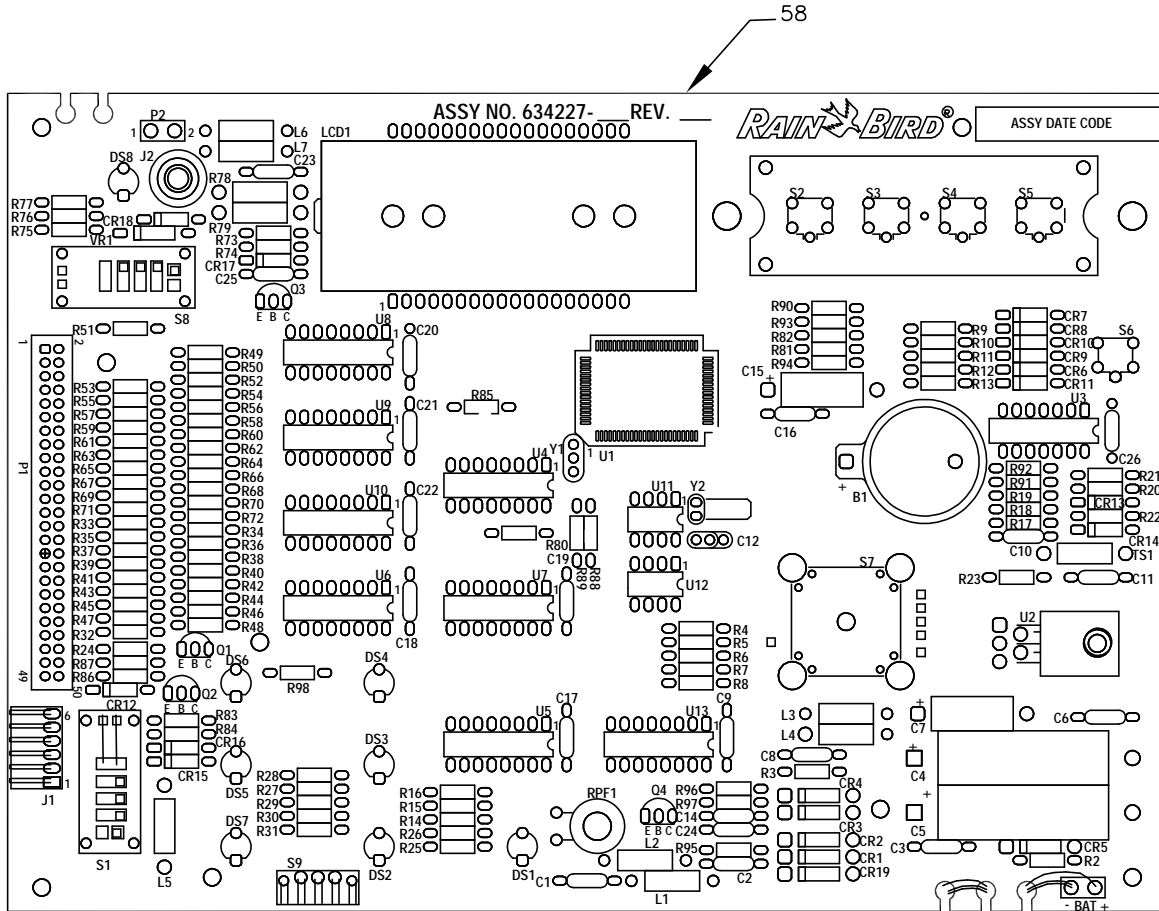


ESC-1 Front Panel & Door Assemblies - Front Panel in Open Position



Note: Part Numbers enclosed in brackets () are not available individually, but may be sold in assemblies or kits.

Control PWB Assembly



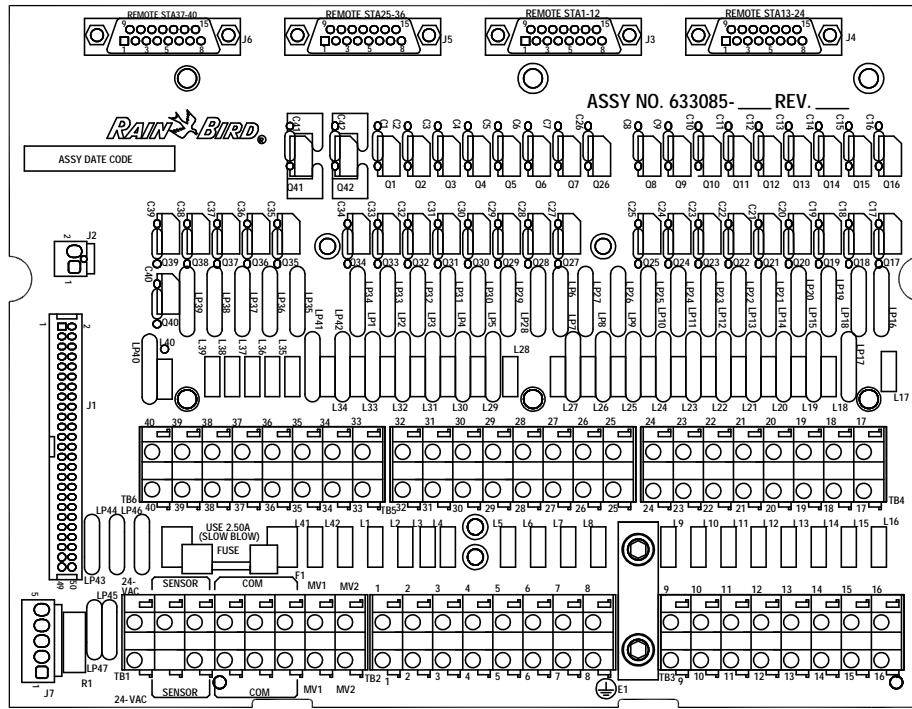
Ref.	Qty.	Description	Part No.
J1	1	HEADER, R.ANGLE, .100CTR	(651523-06)
U1	1	MICROCOMP, TOSHIBA OTP	(633088)
R76	1	RESISTOR, CARBON FILM, 1/4W	(650079-80)
C26	1	CAPACITOR, NPO, AXIAL	(650883-17)
S9	1	SWITCH, SLIDE	(651292)
R92	1	RESISTOR, CARBON FILM, 1/4W	(650079-95)
RPF1	1	LUBRICANT, SWITCH	(651055-08)
BAT	1	BATTERY SNAP	(650588)
Y2	1	CRYSTAL, QUARTZ	(631356-01)
U1	1	RESONATOR, CERAMIC	650075
(B1)	1	HOLDER, BATTERY COIN	(650484)
B1	1	BATTERY, LITHIUM	(651013)
U13	1	I.C., 8 BIT INPUT MUX	(651010)
U12	1	I.C., EEPROM-4K BYTE,SERIAL	(651014)
U11	1	I.C., REAL TIME CLOCK	(651012)
U5,U6,U7	6	8 BIT ADDRESSABLE LATCH	650889
U8,U9,U10	3	3-8 LINE DECODER	650699
U4	1	I.C. QUAD OP AMP	650358
U3	1	WASHER, FLAT, CARBON STEEL	(650023-03)
(U2)	1	RIVET, BLIND DOME HD. .125 DIA	(650139-05)
U2	1	REGULATOR, LOW DROPOUT	(650962)
TS1	1	TRANSORB BI-DIRECTIONAL	(650595-01)
S2,S3,S4,S5,S6	5	SWITCH, PUSHBUTTON	(650748)
S7	1	SWITCH, ROTARY	(630609)
R78,R79	2	RESISTOR, CARBON FILM, 1/2W	(650202-73)
R41-R48	43	RESISTOR, CARBON FILM, 1/4W	(650079-53)
R33-R40			
R65-R72			
R61-R64			
R57-R60			
R49-R56			
R24,R29			
R25-R31	7	RESISTOR, CARBON FILM, 1/4W	(650079-65)
R23,R85	2	RESISTOR, CARBON FILM, 1/4W	(650079-25)
R95,R17	2	RESISTOR, CARBON FILM, 1/4W	(650079-73)

Ref.	Qty.	Description	Part No.
R83,R86	4	RESISTOR, CARBON FILM, 1/4W	(650080-14)
R18,R80			(633088)
R93,R94	18	RESISTOR, CARBON FILM, 1/4W	(650080-22)
R72,R16			
R88,R90	8	RESISTOR, CARBON FILM, 1/4W	650079-89
R27,R48			
R20,R21			
R96,R97	5	RESISTOR, CARBON FILM, 1/4W	(650080-30)
R37,R5			
R19,R1	2	RESISTOR, CARBON FILM, 1/4W	(650079-97)
R2	1	RESISTOR, CARBON FILM, 1/4W	(650079-85)
Q3,Q4	2	TRANSISTOR, NPN, 625mW	650367
Q1,Q2	2	TRANSISTOR, PNP	650369
P1	1	RIBBON CABLE ASSY	(633090)
P2	1	SENSOR CABLE	(632048-01)
L1-L7	7	INDUCTOR, FERRITE BEAD	650300-05
(LCD1)	1	SPACER, LCD	(632046)
LCD1	1	LIQUID CRYSTAL DISPLAY	(633087)
J2	1	SPRING, SHIELD .70 LONG	(632898-01)
(J2)	1	EYELET, SPRING	(650985)
DS1-DS8	8	LED, RED, .200 CTRS	650910
CR6,CR7,CR9	11	DIODE, SWITCHING	650037-01
CR11-18			
VR1	1	DIODE, ZENER, 500mW, 5.6V	(650038-71)
CR1-5,19	6	DIODE, GEN PURPOSE, 1 AMP	650077-02
C12	1	CAPACITOR, CERAMIC RADIAL	(650012-04)
C7,C15	2	CAPACITOR, ELECTROLYT, AXIAL	(650044-03)
C6	1	CAPACITOR, NPO, AXIAL	(650883-13)
C5	1	CAPACITOR, ELECTROLYT, AXIAL	(650624)
C4	1	CAPACITOR, ELECTROLYT, AXIAL	(651054-12)
C23,C25	5	CAPACITOR, CERAMIC AXIAL	(650882-01)
C12,11			
C3,8,9,10			
C14,16,17	13	CAPACITOR, CERAMIC AXIAL	(650085-55)
C18,C19,C20			
C21,C22,C24			
	1		(634228)

Note: Part Numbers enclosed in brackets () are not available individually, but may be sold in assemblies or kits.

Terminal PWB Assembly

4, 32

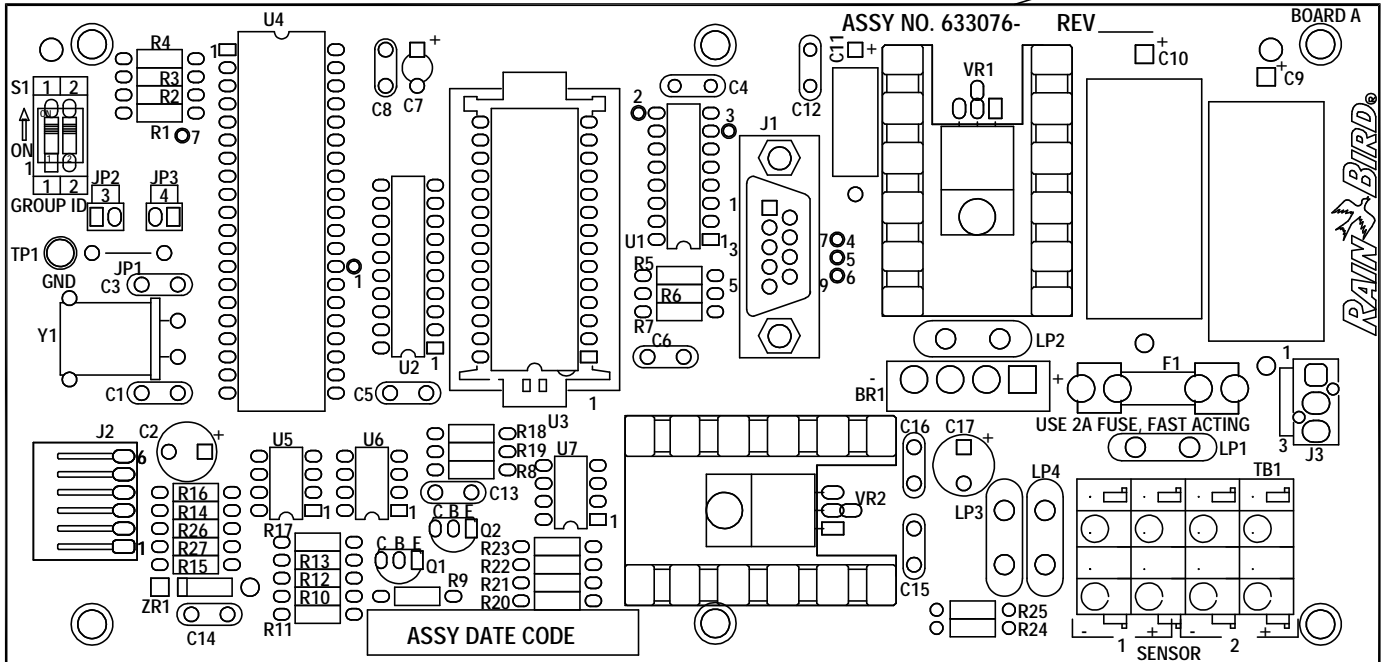


Ref.	Qty.	Description	Part No.	Ref.	Qty.	Description	Part No.
LP43	1	MOV	(651272)	J7	1	HEADER,POLZD,..156CTRS	(650893-05)
TB1-TB6	48	TERMINAL BLOCK	(651000-01)	J2	1	HEADER,POLZD,..156CTRS	(650893-02)
	4	PIN DIAL	622886	J1	1	HEADER,POLZD,..100CTRS	(650872-50)
LP46	2*	WIRE,22AWG,AUTO-INSERTED	(650625-03)	R1	1	RESISTOR,2%,2W	(650766-01)
	1	FUSE MINI .197 DIA	650966-14	Q1-Q42	42	TRIAC, 6 AMPS	651138
	2	MINI FUSE CLIPS	(650308)	LP45,LP47	2	MOV	624624
	1	FUSE	(650431-28)	LP44	1	MOV	650875
	2	FUSE CLIP	(650098)	LP1-LP42	42	MOV, 20MM	650796
	1	LABEL, BAR CODE 39	(631356-01)	L1-L42	42	INDUCTOR, FERRITE BEAD	650300-05
.01		SOLDER	(650160)	C1-C42	42	CAPACITOR, CERAMIC AXIAL	(650882-01)
(J3)-(J6)	4	JACK SOCKET KIT	(650620)		1	PRINTED WIRING BOARD	(633086)
J3-J6	4	CONNECTOR, DB15S	(650610-06)				

Note: Part Numbers enclosed in brackets () are not available individually, but may be sold in assemblies or kits.

Link Int. Board PWB Assembly

3a



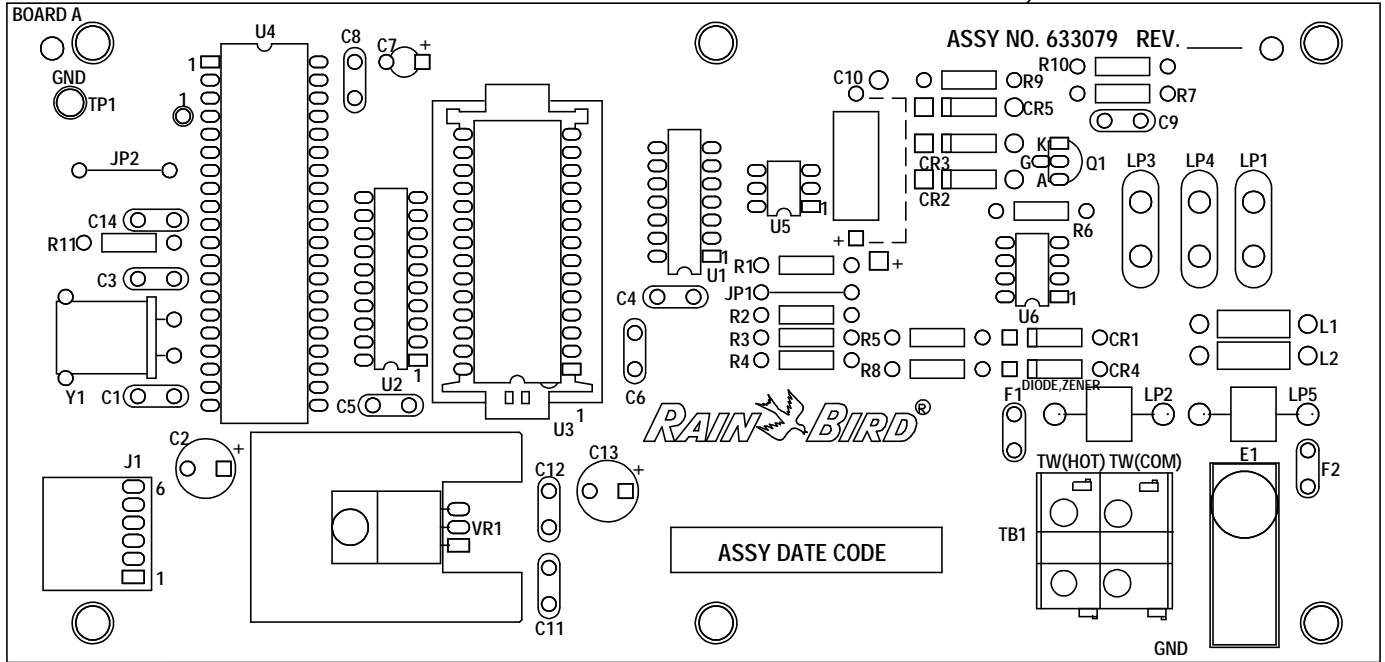
Ref.	Qty.	Description	Part No.
TB1	4	PHNX. TERM. BLK., .300CTRS	(651000-01)
J2	1	HEADER,POLZD.,RA, 098 CTRS	(651523-06)
R15	1	RESISTOR,CARBON FILM,1/4W	(650079-77)
R14	1	RESISTOR,CARBON FILM,1/4W	650079-49
R27	1	RESISTOR,CARBON FILM,1/4W	(650079-97)
ZR1	1	LABEL, BAR CODE 39	(631356-01)
	1	DIODE, ZENER	(650038-70)
	.01	SOLDER,63/37 TIN-LEAD	(650160)
(Y1)	.55	WIRE,22AWG,AUTO-INSERTED	(650625-03)
Y1	1	CRYSTAL, QUARTZ	650721
(VR1,2)	.01	GREASE	(650101)
(VR1,2)	2	RIVET, BLIND, DOME-HEAD	(650139-05)
(VR1,2)	2	HEATSINK, TO220	(650335)
VR2	1	VOLTAGE REGULATOR	650332
VR1	1	VOLTAGE REGULATOR	650939
U4	1	IC, MICROCOMPUTER	651031
U5,6,7	3	IC.	650445
(U3)	1	SOCKET, PROM CARRIER	650518-02
U3	1	PROM CARRIER ASSY	633323-03
U2	1	IC, OCTAL D-TYPE LATCH	650611
U1	1	HEX BUS DRIVER	650776
TP1	1	TEST POINT, PC MOUNT	(650336-01)
S1	1	DIP SWITCH, SPST	(631012-02)

Ref.	Qty.	Description	Part No.
R16,17	2	RESISTOR,CARBON FILM,1/4W	(650079-59)
R18,R19 R11,R13 R5-R9,	9	RESISTOR,CARBON FILM,1/4W	650079-89
R10,R12 R1,2,3,4	6	RESISTOR,CARBON FILM,1/4W	(650080-14)
R24,25,26	3	RESISTOR,CARBON FILM,1/4W	(650079-80)
R20-23	4	RESISTOR,CARBON FILM,1/4W	(650079-73)
Q1,Q2	2	TRANSISTOR, PNP	650369
J3	1	HEADER, .156 CTRS	(650893-03)
LP1-4	4	MOV	650015
(J1)	1	JACK SOCKET KIT	(650620)
J1	1	CONNECTOR,	(650610-05)
(F1)	2	MINI FUSE, CLIPS, .197 DIA	(650308)
F1	1	FUSE, MINI, .197 DIA	(650307-03)
BR1	1	BRIDGE, RECTIFIER	650581-03
C13	1	CAPACITOR, CERAMIC DISC	(650014-27)
C11	1	CAPACITOR, ELECTRL, AXIAL	(650045-08)
C9,C10	2	CAPACITOR, ELECTRL, AXIAL	(650954)
C7	1	CAPACITOR,TANTALUM,RADIAL	650583-03
C15,16 C12,14, C4,5,6,8,	8	CAPACITOR, CERAMIC DISC	650013-45
C2,C17	2	CAPACITOR,TANTALUM,RADIAL	650583-09
C1,3	2	CAPACITOR, CERAMIC, DISC	(650012-15)
	1	PRINTED WIRING BOARD	(633077)

Note: Part Numbers enclosed in brackets () are not available individually, but may be sold in assemblies or kits.

Two-Wire Int. Board PWB Assembly

3b

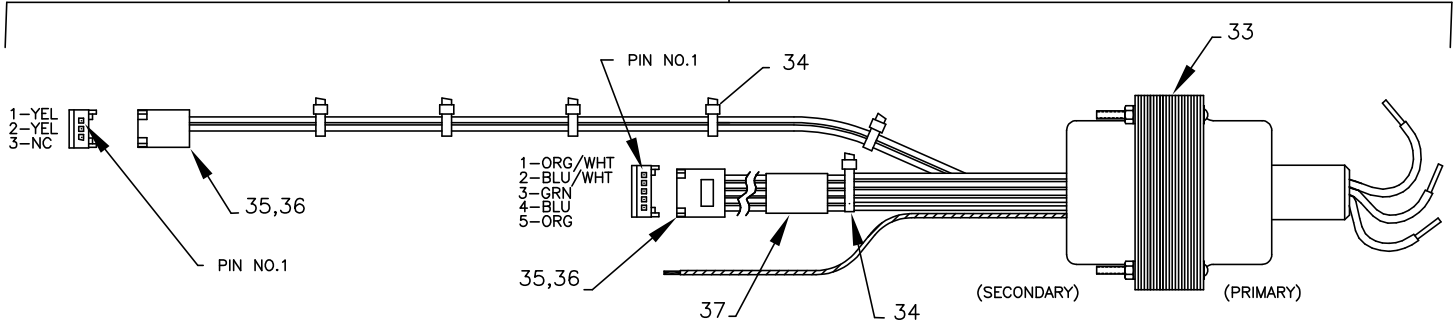


Ref.	Qty.	Description	Part No.	Ref.	Qty.	Description	Part No.
TB1	2	PHNX. TERM. BLK., .300CTRS	(651000-01)	L1,2	2	INDUCTOR, FERRITE BEAD	650300-05
J1	1	HEADER, POLZD., RA, .098 CTRS	(651523-06)	JP2	1	WIRE, 22AWG, AUTO-INSERTED	(650625-03)
F1, F2	2	POLYSWITCH, RXE SERIES	(651055-08)	CR5	1	DIODE, GEN PURPOSE, 1 AMP	650077-02
R6	1	RESISTOR, CARBON FILM, 1/4W	(650079-76)	CR2,3	2	DIODE, ZENER, 500mW, 8.2V	650077-02
(VR1)	.001	HEATSINK, GREASE	(650101)	CR1,4	2	DIODE, ZENER, 500mW, 8.2V	650038-12
(VR1)	1	RIVET, BLIND, DOMEHEAD	(650139-05)	C10	1	CAPACITOR, ELECTRL AXIAL	(650046-13)
(VR1)	1	REGULATOR, HEATSINK, TO220	(650335)	C9	1	CAPACITOR, CERAMIC DISC	(650040-57)
VR1	1	REGULATOR, +5V	650332	C7	1	CAPACITOR, TANTALUM, RADIAL	650583-03
TP1	1	TEST POINT, PC MOUNT	(650336-01)	C12,14	7	CAPACITOR, CERAMIC DISC	650013-45
R9, R11	1	RESISTOR, CARBON FILM, 1/4W	650079-89	C5,11	2	CAPACITOR, TANTALUM, RADIAL	650583-09
	1	LABEL, BAR CODE 39	(631356-01)	C4,5,6	2	CAPACITOR, CERAMIC DISC	(650012-15)
(Y1)	.55	WIRE, 22AWG, AUTO-INSERTED	(650625-03)	C1,3	2	CAPACITOR, CERAMIC DISC	(650012-15)
	.001	SOLDER	(650160)	Y1	1	CRYSTAL, QUARTZ	650721
R7,10	2	RESISTOR, CARBON FILM, 1/4W	(650079-73)	U6	1	IC, OPTO-COUPLER, DUAL GAIN	650445
R4	1	RESISTOR, CARBON FILM, 1/4W	(650080-22)	U5	1	IC, OPTO-ISOLATOR, TRIAC	650070-01
R1	1	RESISTOR, CARBON FILM, 1/4W	(650079-59)	U4	1	IC, MICROPROCESSOR	651031
	4	RESISTOR, CARBON FILM, 1/4W	(650080-14)	(U3)	1	SOCKET, PROM CARRIER	650518-02
Q1	1	SCR	650375	U3	1	PROM CARRIER ASSY	633321-04
LP2,5	2	SPARK GAP	624625	U2	1	IC, OCTAL D-TYPE LATCH	650611
LP1,3,4	3	MOV	650016	U1	1	IC, HEX SCHMITT INVERTER	650540
					1	PRINTED WIRING BOARD	(633080)

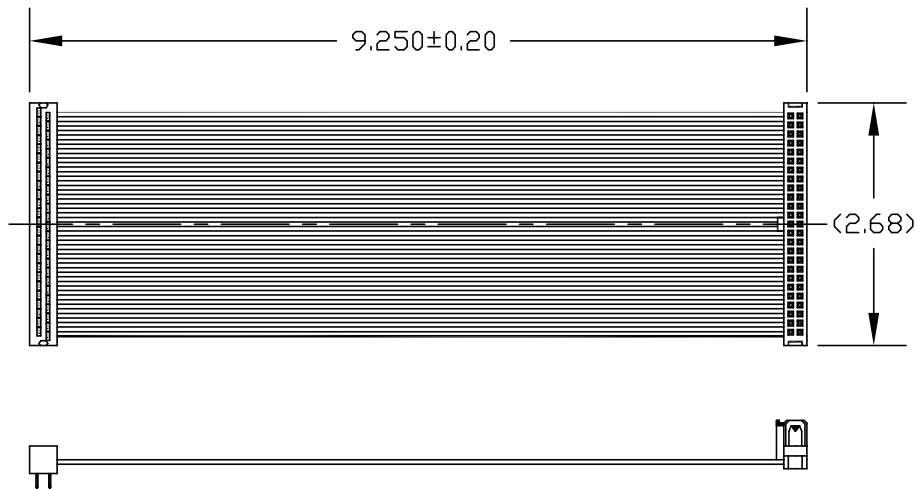
Note: Part Numbers enclosed in brackets () are not available individually, but may be sold in assemblies or kits.

Transformer Assembly

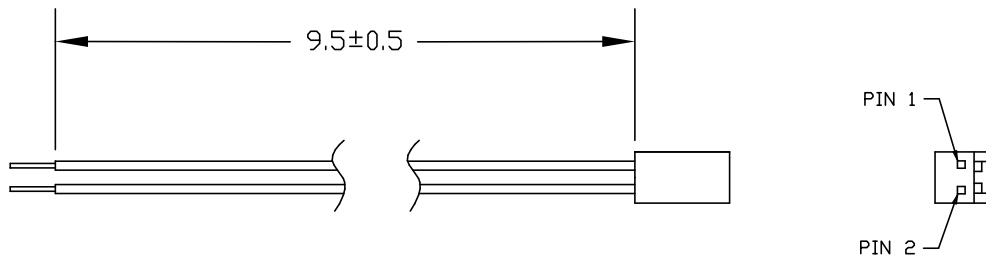
5



Cable Harness Assembly 633090



Sensor Cable Assembly 632048-01



Note: Part Numbers enclosed in brackets () are not available individually, but may be sold in assemblies or kits.

A. ESC-1 STDALN WM
B. IESC-1 40 STDALN WM
C. ESC-1 40 LNK WM

D. IESC-1 40 LNK WM
E. ESC-1 40 TW WM
F. IESC-1 40 TW WM

Ref.	Level	Description	Part No.	Used On	Qty.
CONTROLLER ASSY					
1	.	CONTROLLER ASSY ESC-1	(635340-04)	A	1
1	.	CONTROLLER ASSY ESC-1	(635340-08)	B	1
1	.	CONTROLLER ASSY ESC-1 LINK	(635353-04)	C	1
1	.	CONTROLLER ASSY ESC-1 LINK	(635353-08)	D	1
1	.	CONTROLLER ASSY ESC-1 TW	(635352-04)	E	1
1	.	CONTROLLER ASSY ESC-1 TW	(635352-08)	F	1
2	.	LOCKNUT CONDUIT	(628013)	ABCDEF	1
3a.	.	PWB ASSY ESP-MC LINK INT BOARD	(633076-02)	CD	1
3b.	.	PWB ASSY ESP-MC 2WIRE INT BRD	(633079-02)	EF	1
4	.	PWB ASSY TERM BOARD STA	(633085-16)	ACE	1
4	.	PWB ASSY TERM BOARD STA	(633085-20)	BDF	1
5	.	XFMR ASSY,11&26 VOLT-ESP-MC	633148-01	AE	1
5	.	XFMR ASSY,11&26 VOLT-ESP-MC	633148-02	BF	1
5	.	XFMR ASSY,LINK,120V-ESP-MC	633165-01	C	1
5	.	XFMR ASSY,LINK,230V-ESP-MC	(633165-02)	D	1
6	.	CABINET ASSY,DRAW FORMED	(633166-01)	ABCDEF	1
7	.	SCREWS,MOUNTING,KIT-ESP-MC	(633182)	ABCDEF	1
8	.	LABEL,CAUTION	(633657)	BDF	1
9	.	LABEL WARNING GROUNDING ESP-MC	(634502)	ABCDEF	1
10	.	LABEL, WARNING CORROSION INHIB	(634558)	ABCDEF	1
11	.	OPERATION MANUAL ESP-MC	(634593)	ABCDEF	1
12	.	PARTS BOX WM CABINETS	(634612)	ABCDEF	1
13	.	LABEL,FUSE 2.5 AMP	(634615)	BDF	1
14	.	GROUND WIRE ASSY 12 AWG (11)	(634943-11)	ABCDEF	1
15	.	GROUND WIRE ASSY 12 AWG (19)	(634943-19)	EF	1
16	.	LABEL,KEYHOLE	(635011)	ABCDEF	2
17	.	FRONT PANEL ASSY ESC-1	(635342-04)	ABCDEF	1
18	.	DOOR ASSY,ESC-1	(635343-01)	A	1
18	.	DOOR ASSY,ESC-1	(635343-02)	B	1
18	.	DOOR ASSY,ESC-1	(635343-03)	C	1
18	.	DOOR ASSY,ESC-1	(635343-06)	DF	1
18	.	DOOR ASSY,ESC-1	(635343-05)	E	1
19	.	HARNASS ASSY TW/LINK INT	(635351)	CDEF	1
20	.	WSHR LK, #10,EXT-TOOTH,Z-PLTD	(650162-04)	ABCD,EF	2,4
21	.	SCREW PHL PNH HI-LO 7-19X1/2	(650183-63)	ABCDEF	3
22	.	FUSE,SLOWBLOW,250V,2-1/2 AMP	(650431-28)	ACE	1
22	.	FUSE,5X20MM,SLOW BLOW 2 1/2AMP	650966-14	BDF	1
23	.	RIVET, BLIND 0.19	(650434-13)	ABCD,EF	1,2
24	.	PLUG,HOLE .250,NYL,WHITE	(650485-04)	ABCDEF	5
25	.	SPACER,CIRUIT BOARD,EDGE HOLD	(650912-10)	CDEF	6

Note: Part Numbers enclosed in brackets () are not available individually, but may be sold in assemblies or kits.

- A. ESC-1 STDALN WM
- B. IESC-1 40 STDALN WM
- C. ESC-1 40 LNK WM
- D. IESC-1 40 LNK WM
- E. ESC-1 40 TW WM
- F. IESC-1 40 TW WM

Ref.	Level	Description	Part No.	Used On	Qty.
26	.	BAG,ZIP LOCK,PLASTIC,2.5X3	(650924-01)	ABCDEF	1
27	.	BATTERY, NICAD 7.2V	650929	ABCDEF	1
28	.	IMPREGNATED FOAM CORROSION INH	(651331)	ABCDEF	1
29	.	HOLDER FUSE	(651384)	BDF	1
30	.	LOCK WASHER, EXTERNAL TOOTH	(651389)	ABCDEF	1
31	.	WIRE CLIP WITH ADHESIVE	(651446-02)	ABCDEF	1

PWB ASSY TERM BOARD STA

32	.	PWB ASSY TERM BOARD STA	(633085-17)	BDF	1
----	---	--------------------------------	--------------------	------------	----------

XFMR ASSY

5	.	XFMR ASSY,11&26 VOLT-ESP-MC	633148-01	AE	1
5	.	XFMR ASSY,11&26 VOLT-ESP-MC	633148-02	BF	1
5	.	XFMR ASSY,LINK,120V-ESP-MC	633165-01	C	1
5	.	XFMR ASSY,LINK,230V-ESP-MC	(633165-02)	D	1
33	.	XFMR,POWER-26.5VAC/60HZ-ESP-MC	(633146)	AE	1
33	.	XFMR, POWER-230VAC,50HZ-ESP-MC	(633147)	BF	1
33	.	XFMR, POWER-120VAC/60HZ-ESP-MC	633163	C	1
33	.	XFMR, POWER-230VAC,50HZ-ESP-MC	633164	D	1
34	.	CABLE TIE, NYLON 7/8 BUNDLE	650131	ABEF,CD	1,6
35	.	TERMINAL CRIMP MOLEX	(650323)	ABEF,CD	5,7
36	.	HOUSING CRIMP TERMINAL 5 CIRC	(650873-05)	ABCDEF	1
36	.	HOUSING CRIMP TERMINAL 5 CIRC	650873-03	CD	1
37	.	BEAD,SHIELD,FERRITE,200 OHMS	(651123)	BF	1

CABINET ASSY

6	.	CABINET ASSY,DRAW FORMED	(633166-01)	ABCDEF	1
38	.	HINGE SLIP JOINT M	(629227-01)	ABCDEF	2
39	.	STRIKE LOCK	(629234)	ABCDEF	1
40	.	SPACER, TERMINAL BOARD -ESP-C	(631919)	ABCDEF	1
41	.	RAIL, HINGE	(631921)	ABCDEF	1
42	.	RAIL, MOUNTING PARAGON	(631922)	ABCDEF	1
43	.	CABINET DRAW FORMED	(634126-03)	ABCDEF	1
44	.	WASHER, FLAT #10 .032	(650023-13)	ABCDEF	4
45	.	NUT,PL,HEX,#8-32,CRES,PSVTD	(650033-04)	ABCDEF	2
46	.	RIVET SEMI TUBULAR OVAL A	(650401)	ABCDEF	8
47	.	RIVET, BLIND 0.19	(650434-13)	ABCDEF	4
48	.	NUT, #8-32 HEX W/STAR WASHER	(650634-04)	ABCDEF	2
49	.	BAR BUS GROUNDING	(651440)	ABCDEF	1

Note: Part Numbers enclosed in brackets () are not available individually, but may be sold in assemblies or kits.

- A. ESC-1 STDALN WM
- B. IESC-1 40 STDALN WM
- C. ESC-1 40 LNK WM

- D. IESC-1 40 LNK WM
- E. ESC-1 40 TW WM
- F. IESC-1 40 TW WM

Ref.	Level	Description	Part No.	Used On	Qty.
FRONT PANEL ASSY					
17	.	FRONT PANEL ASSY ESC-1	(635342-04)	ABCDEF	1
50	.	LABEL WARNING CIC 8/12	(627298)	ABCDEF	1
51	.	LABEL DATE CODE	(627867)	ABCDEF	1
52	.	FUNCT SELECT KNOB ASSY, GRAY	630946	ABCDEF	1
53	.	BUTTON, TM PB SWITCH	(631136)	ABCDEF	1
54	.	COVER,PWB	(631920)	ABCDEF	1
55	.	LENS,LCD-ESP-C/LX	632700	ABCDEF	1
56	.	FP/SHIELD ASSY-ESP-C	(632906)	ABCDEF	1
57	.	KEYPAD,SILICONE	(632908)	ABCDEF	1
58	.	PWB ASSY,ESC-1 CONTRL BOARD	(634227-16)	ABCDEF	1
59	.	LABEL,OPERATION MODE	(635311)	ABCDEF	1
60	.	OVERLAY,FRONT PANEL ESC1	(635347)	ABCDEF	1
61	.	SCREW,4-24 X 5/16 HI-LO W/WSHR	(650563-23)	ABCDEF	5
62	.	LOCK,PLUNGER	(650927-02)	ABCDEF	2
63	.	LOCK,GROMMET	(650928-02)	ABCDEF	2
DOOR ASSY					
18	.	DOOR ASSY,ESC-1	(635343-01)	A	1
18	.	DOOR ASSY,ESC-1	(635343-02)	B	1
18	.	DOOR ASSY,ESC-1	(635343-03)	C	1
18	.	DOOR ASSY,ESC-1	(635343-06)	DF	1
18	.	DOOR ASSY,ESC-1	(635343-05)	E	1
64	.	DOOR ASSY, GRAY DEP DRAW	629321-03	ABCDEF	1
65	.	LABEL/ENVELOPE-ESP-MC	(633174)	ABCDEF	1
66	.	LABEL,FCC COMPLIANCE, E-CLASS	(633662)	ABCDEF	1
67	.	LABEL RATING	(634385-27)	A	1
67	.	LABEL RATING	(634385-28)	B	1
67	.	LABEL RATING	(634385-31)	C	1
67	.	LABEL RATING	(634385-30)	DF	1
67	.	LABEL RATING	(634385-29)	E	1
68	.	LABEL,KEEP DOOR CLOSED ESP-MC	(634501)	ABCDEF	1

Note: Part Numbers enclosed in brackets () are not available individually, but may be sold in assemblies or kits.