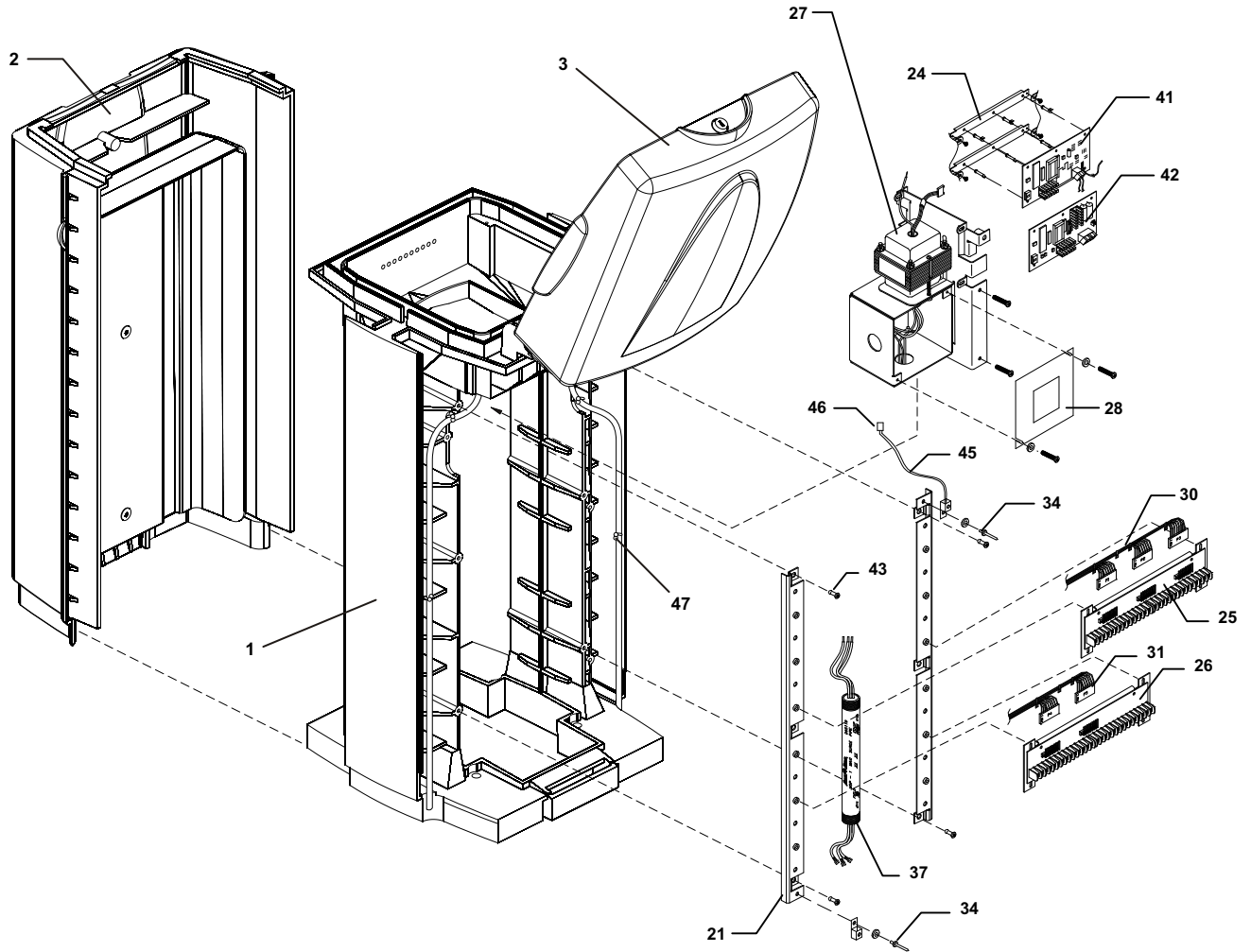


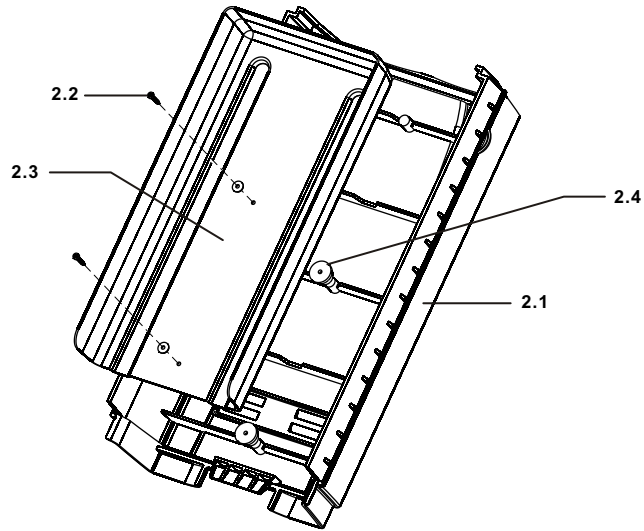
Note: Part Number enclosed in brackets () are not available individually, but may be sold in assemblies or kits.



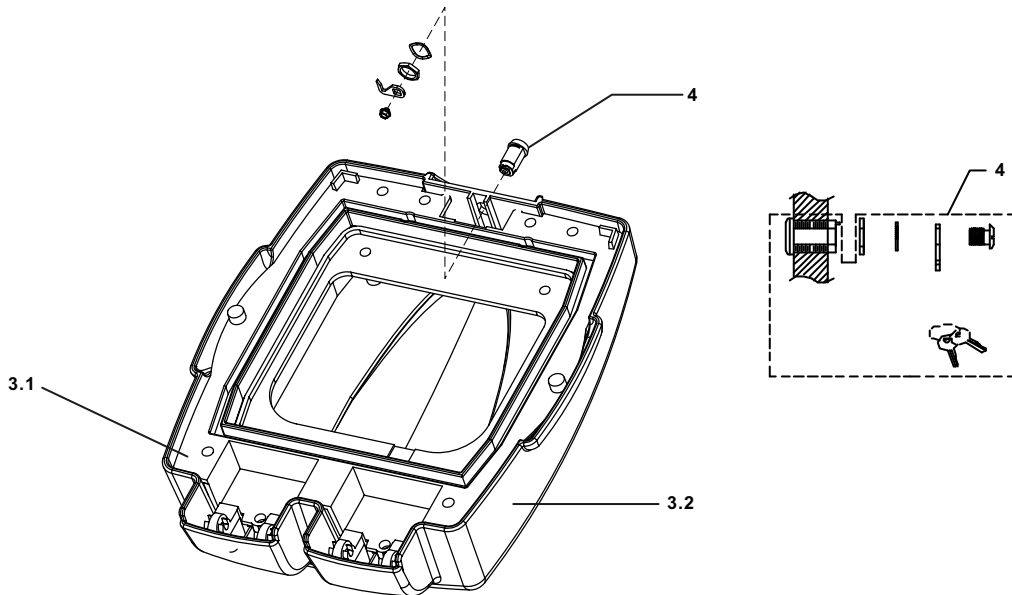
Note: Part Number enclosed in brackets () are not available individually, but may be sold in assemblies or kits.

| Ref. | Description | Qty. | Part Number |
|-------------|---|-------------|------------------------|
| 1 | PLASTIC PEDESTAL SUB-ASSY, RP GRAY | 1 | H44011 |
| 2 | DOOR RP SUB-ASSY RP | 2 | (636719-02) |
| 3 | LID RP SUB-ASSY | 1 | (636718-02) |
| 4 | LOCK, NOTCHED CAM | 1 | 636709 |
| 5 | PLATE, LOCK, SST | 1 | (636743) |
| 6 | PEDESTAL MOUNTING KIT | 1 | 635780 |
| 7 | BAG, POLY 6 X 8 | 1 | (601846) |
| 8 | BAG, POLY 15X24 | 1 | (632308-01) |
| 9 | MOUNTING TEMPLATE | 1 | (635233) |
| 10 | ANCHOR BOLT | 4 | (635258-02) |
| 11 | LABEL, BOLT. PPED, TEMPLATE | 1 | (635824) |
| 12 | WASHER 5/16 LOCK-SPRING | 4 | (650029-07) |
| 13 | NUT, HEX 5/16 | 8 | (650033-07) |
| 14 | WASHER FLAT 5/16 TYPE B | 4 | (652181) |
| 15 | MANUAL, INSTALLATION ESC-1 | 1 | 635345 |
| 16 | MANUAL, OPERATION ESC-1 | 1 | 635360 |
| 17 | ASSY, FRONT PANEL ESC-1 (page 5) | 1 | 635435-01 to 08 |
| 18 | PWB ASSY 2 WIRE INT BRD | 1 | (633079-02) |
| 19 | WIRE, GROUND, 12 AWG, 14 INCHES | 1 | (633893) |
| 20 | MOUNTING CLIP | 4 | (635036) |
| 21 | RAIL, MOUNTING STEEL | 2 | (635216) |
| 22 | QUICK PROGRAMMING GUIDE ESC-1 | 1 | (635346) |
| 23 | WALL BRACKET | 1 | (635417) |
| 24 | MIB BRACKET ESC-1 | 2 | (635490) |
| 25 | BRACKET BOARD ASSY (STA 1-24) | 1 | 635488 |
| 26 | BRACKET BOARD ASSY (STA 25-40) | 1 | 635489 |
| 27 | XMFR, WALL BRACKET ASSY | 1 | 635865-01 to 04 |
| 28 | JUNCTION, BOX COVER | 1 | (635431) |
| 29 | LABEL, POWER INPUT LINE | 1 | (635863) |
| 30 | HARNESS ASSY TERM BRD (1-24) | 1 | 635447 |
| 31 | HARNESS ASSY TERM BRD (25-40) | 1 | 635448 |
| 32 | HARNESS ASSY, TW/LINK INT | 1 | (635862) |
| 33 | SCREW PHL PNH | 4 | (632188-20) |
| 34 | RIVET BLIND | 2 | (650422-13) |
| 35 | LUG, SINGLE BARREL, SINGLE HOLE | 2 | (651645-01) |
| 36 | SCREW, #6-32 X 1/4" PH | 4 | (650480-12) |
| 37 | ARRESTOR, SURGE PIPE | 1 | D05110 |
| 38 | ANTENNA PANEL ASSY | 1 | H41006 |
| 39 | ANTENNA 450-470 MHz | 1 | H60140 |
| 40 | SPACER, CIRUIT BOARD, EDGE HOLD | 6 | (650912-10) |
| 41 | MAXI INTERFACE BRD (TWO-WIRE) | 1 | HN0610 |
| 42 | MAXI INTERFACE BRD (LINK) | 1 | HN0620 |
| 43 | SCREW, PHILLIPS | 6 | (652188-48) |
| 44 | RETAINER, BLACK NYLON | 4 | (651512) |
| 45 | GROUND WIRE ASSY, 12 AWG | 1 | (633893) |
| 46 | TERM, QDISC, FEMALE, .250 | 1 | (651528) |
| 47 | TWIST LOCK | 2 | (651567) |
| 48 | TUBING, RUBBER 5/8" | 4 | (636647-01) |

Note: Part Number enclosed in brackets () are not available individually, but may be sold in assemblies or kits.

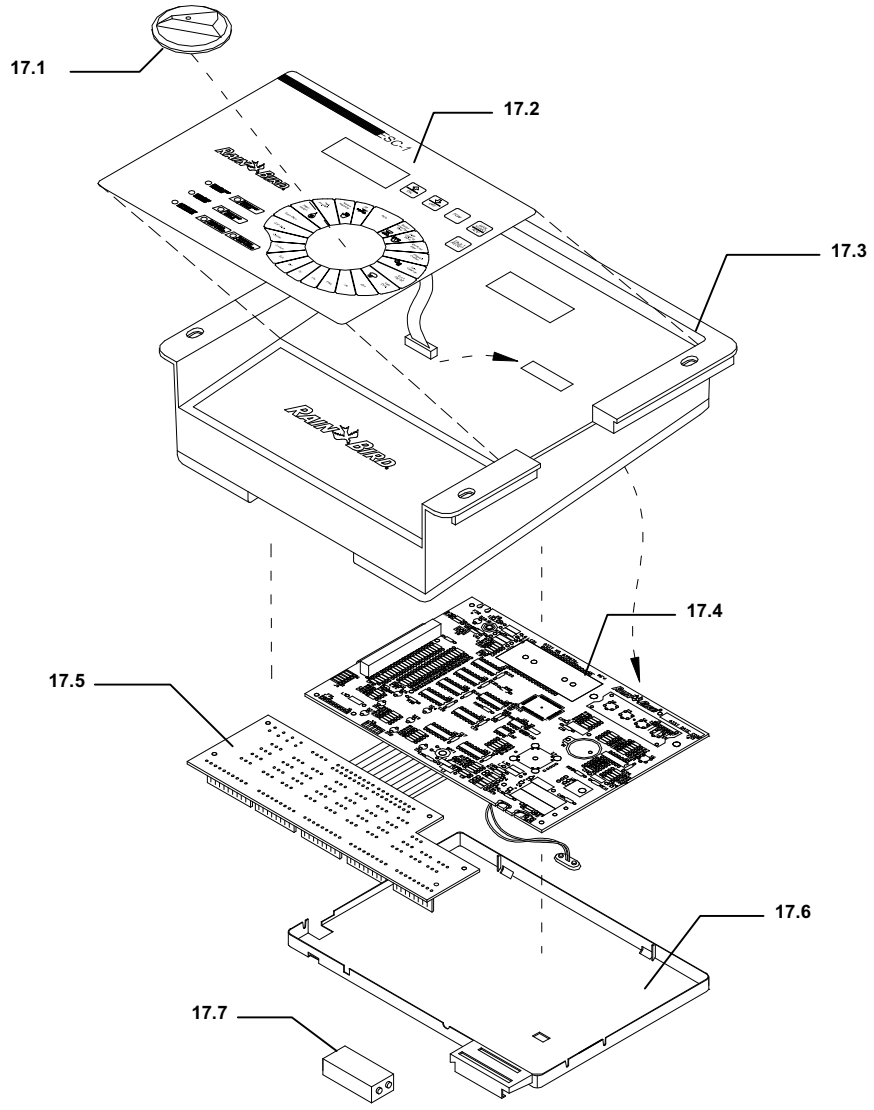


| Ref. | Description | Qty. | Part Number |
|------|----------------------------|------|--------------|
| 2 | DOOR RP SUB-ASSY RP | | |
| 2.1 | DOOR, PLASTIC PEDESTAL | 1 | (636719-02) |
| 2.2 | SCREW | 2 | (652281-010) |
| 2.3 | INNER DOOR SHIELD | | (636939-010) |
| 2.4 | INNER DOOR SPACER | | (636940-010) |



| Ref. | Description | Qty. | Part Number |
|------|------------------------------|------|-------------|
| 3 | LID RP SUB-ASSY | | |
| 3.1 | LID, INNER, PLASTIC PEDESTAL | 1 | (636717-02) |
| 3.2 | LID, OUTER, PLASTIC PEDESTAL | 1 | (636718-02) |
| 4 | LOCK, NOTCHED CAM | 1 | (636709) |

Note: Part Number enclosed in brackets () are not available individually, but may be sold in assemblies or kits.



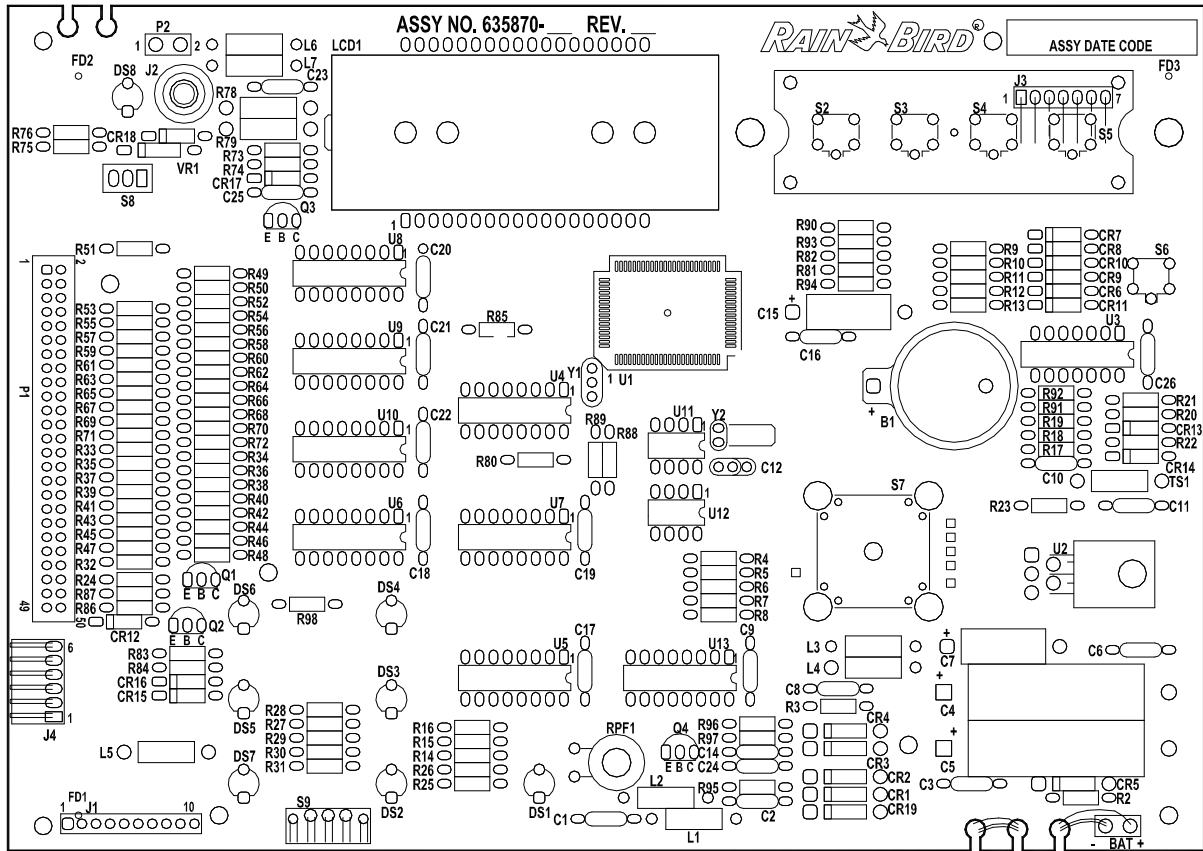
Note: Part Number enclosed in brackets () are not available individually, but may be sold in assemblies or kits.



| Ref. | Description | Qty. | 110 VAC | | | |
|-----------|-------------------------------------|------|------------------|------------------|------------------|------------------|
| | | | 16 STA | 24 STA | 32 STA | 40 STA |
| 17 | CONTROL MODULE ESC-1 | | 635435-01 | 635435-02 | 635435-03 | 635435-04 |
| 17.1 | FUNCTION SELECT KNOB ASSY, GRAY | 1 | 630946 | 630946 | 630946 | 630946 |
| 17.2 | MEMBRANE SWITCH OVERLAY | 1 | 635372 | 635372 | 635372 | 635372 |
| 17.3 | FRONT PANEL ESC-1 | 1 | (635334) | (635334) | (635334) | (635334) |
| 17.4 | PWB ASSY ESC-1 CONTROLER BRD 16 | 1 | (635870-01) | - | - | - |
| 17.4 | PWB ASSY ESC-1 CONTROLER BRD 32 | 1 | - | (635870-02) | - | - |
| 17.4 | PWB ASSY ESC-1 CONTROLER BRD 24 | 1 | - | - | (635870-03) | - |
| 17.4 | PWB ASSY ESC-1 CONTROLER BRD 40 | 1 | - | - | - | (635870-04) |
| 17.5 | PWB ASSY, ESC-1 TRIAC BRD (16-110V) | 1 | 635324-01 | - | - | - |
| 17.5 | PWB ASSY, ESC-1 TRIAC BRD (24-110V) | 1 | - | 635324-02 | - | - |
| 17.5 | PWB ASSY, ESC-1 TRIAC BRD (32-110V) | 1 | - | - | 635324-03 | - |
| 17.5 | PWB ASSY, ESC-1 TRIAC BRD (40-110V) | 1 | - | - | - | 635324-04 |
| 17.6 | PLASTIC COVER | 1 | (631920) | (631920) | (631920) | (631920) |
| 17.7 | BATTERY, NICAD 7.2V | 1 | (650929) | (650929) | (650929) | (650929) |

| Ref. | Description | Qty. | 220 VAC | | | |
|-----------|-------------------------------------|------|------------------|------------------|------------------|------------------|
| | | | 16 STA | 24 STA | 32 STA | 40 STA |
| 17 | CONTROL MODULE ESC-1 | | 635435-05 | 635435-06 | 635435-07 | 635435-08 |
| 17.1 | FUNCTION SELECT KNOB ASSY, GRAY | 1 | 630946 | 630946 | 630946 | 630946 |
| 17.2 | MEMBRANE SWITCH OVERLAY | 1 | 635372 | 635372 | 635372 | 635372 |
| 17.3 | FRONT PANEL ESC-1 | 1 | (635334) | (635334) | (635334) | (635334) |
| 17.4 | PWB ASSY ESC-1 CONTROLER BRD 16 | 1 | 635870-01 | - | - | - |
| 17.4 | PWB ASSY ESC-1 CONTROLER BRD 32 | 1 | - | 635870-02 | - | - |
| 17.4 | PWB ASSY ESC-1 CONTROLER BRD 24 | 1 | - | - | 635870-03 | - |
| 17.4 | PWB ASSY ESC-1 CONTROLER BRD 40 | 1 | - | - | - | 635870-04 |
| 17.5 | PWB ASSY, ESC-1 TRIAC BRD (16-220V) | 1 | 635324-05 | - | - | - |
| 17.5 | PWB ASSY, ESC-1 TRIAC BRD (24-220V) | 1 | - | 635324-06 | - | - |
| 17.5 | PWB ASSY, ESC-1 TRIAC BRD (32-220V) | 1 | - | - | 635324-07 | - |
| 17.5 | PWB ASSY, ESC-1 TRIAC BRD (40-220V) | 1 | - | - | - | 635324-08 |
| 17.6 | PLASTIC COVER | 1 | (631920) | (631920) | (631920) | (631920) |
| 17.7 | BATTERY, NICAD 7.2V | 1 | (650929) | (650929) | (650929) | (650929) |

Note: Part Number enclosed in brackets () are not available individually, but may be sold in assemblies or kits.



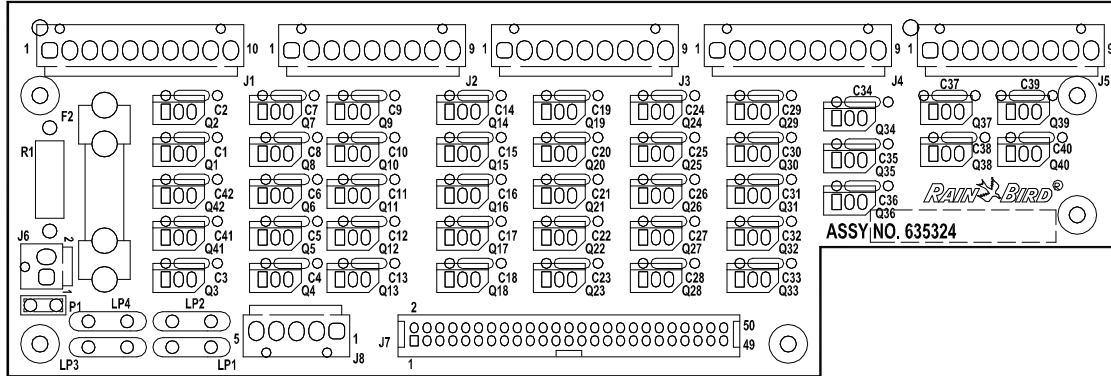
| Ref. | Description | Qty. | STA 16 | STA 24 | STA 32 | STA 40 |
|-------------|---------------------------------------|------|--------------------|--------------------|--------------------|--------------------|
| 17.4 | PWB CONTROLLER ASSY ESC-1 | | (635870-01) | (635870-02) | (635870-03) | (635870-04) |
| S7 | SWITCH, ROTARY | 1 | (630609) | (630609) | (630609) | (630609) |
| P2 | SENSOR CABLE ASSY. 8.0 | 1 | (632048-01) | (632048-01) | (632048-01) | (632048-01) |
| U1 | MICROCONTROLLER, CMOS 8-BIT, OTP | 1 | (633088) | (633088) | (633088) | (633088) |
| P1 | CABLE ASSY, HARNESS | 1 | (633090) | (633090) | (633090) | (633090) |
| LCD | LCD SPACER ESC-1/P.PEDES | 1 | (635339) | (635339) | (635339) | (635339) |
| (LDC) | DISPLAY, LIQUID CRYSTAL | 1 | (635361) | (635361) | (635361) | (635361) |
| - | PWB FAB, WATER PRO | 1 | (635617) | (635617) | (635617) | (635617) |
| C12 | CAPACITOR CER DISC, 50V(MIN)1PFT08200 | 1 | (650012-04) | (650012-04) | (650012-04) | (650012-04) |
| (U2) | WASHER, FLAT #5.010 | 1 | (650023-03) | (650023-03) | (650023-03) | (650023-03) |
| VR1 | DIODE ZENER 1N5232B 5.6V | 1 | (650038-71) | (650038-71) | (650038-71) | (650038-71) |
| C7, C15 | CAPACITOR ELECT AX 10V 47MF | 2 | (650044-03) | (650044-03) | (650044-03) | (650044-03) |

Note: Part Number enclosed in brackets () are not available individually, but may be sold in assemblies or kits.



| Ref. | Description | Qty. | STA 16 | STA 24 | STA 32 | STA 40 |
|----------------------------------|----------------------------------|------|-------------|-------------|-------------|-------------|
| BAT | BATTERY SNAP 9V | 1 | 650075 | 650075 | 650075 | 650075 |
| CR11-18 | DIODE IN4148 | 8 | (650037-01) | (650037-01) | (650037-01) | (650037-01) |
| CR9 | DIODE IN4148 | 1 | - | - | (650037-01) | (650037-01) |
| CR8 | DIODE IN4148 | 1 | (650037-01) | (650037-01) | - | - |
| CR7 | DIODE IN4148 | 1 | (650037-01) | - | (650037-01) | - |
| CR6 | DIODE IN4148 | 1 | (650037-01) | (650037-01) | (650037-01) | (650037-01) |
| CR1-5, 19 | DIODE 1N4002 | 6 | (650077-02) | (650077-02) | (650077-02) | (650077-02) |
| R23, 85 | RES 1/4W 10% 10 OHM | 2 | (650079-25) | (650079-25) | (650079-25) | (650079-25) |
| R49-56, 24, 32, 98 | RESISTOR 1/4W 10% 150 OHM | 11 | (650079-53) | (650079-53) | (650079-53) | (650079-53) |
| R57-60 | RESISTOR 1/4W 10% 150 OHM | 4 | (650079-53) | (650079-53) | (650079-53) | (650079-53) |
| R61-64 | RESISTOR 1/4W 10% 150 OHM | 4 | (650079-53) | (650079-53) | (650079-53) | (650079-53) |
| R65-72 | RESISTOR 1/4W 10% 150 OHM | 8 | - | (650079-53) | (650079-53) | (650079-53) |
| R33-40 | RESISTOR 1/4W 10% 150 OHM | 8 | - | - | (650079-53) | (650079-53) |
| R41-48 | RESISTOR 1/4W 10% 150 OHM | 8 | - | - | - | (650079-53) |
| R25-31 | RESISTOR 1/4W 10% 470 OHM | 7 | (650079-65) | (650079-65) | (650079-65) | (650079-65) |
| R95, 17 | RESISTOR 1/4W 10% 1.0 K | 2 | (650079-73) | (650079-73) | (650079-73) | (650079-73) |
| R76 | RESISTOR 1/4W 10% 2.0 K | 1 | (650079-80) | (650079-80) | (650079-80) | (650079-80) |
| R2 | RESISTOR 1/4W 10% 3.3 K | 1 | (650079-85) | (650079-85) | (650079-85) | (650079-85) |
| R20-22, 84, 87-90 | RESISTOR 1/4W 10% 4.7 K | 8 | (650079-89) | (650079-89) | (650079-89) | (650079-89) |
| R92 | RESISTOR 1/4W 10% 8.2K | 1 | (650079-95) | (650079-95) | (650079-95) | (650079-95) |
| R23, R85 | RESISTOR 1/4W 10% 10 K | 2 | (650079-97) | (650079-97) | (650079-97) | (650079-97) |
| R18, 80, 83, 86 | RESISTOR 1/4W 10% 47 K | 4 | (650080-14) | (650080-14) | (650080-14) | (650080-14) |
| R4-6, 73, 81, 82, 93, 94 | RESISTOR 1/4W 10% 100 K | 18 | (650080-22) | (650080-22) | (650080-22) | (650080-22) |
| R3, 74, 75, 96, 97 | RESISTOR 1/4W 10% 220 K | 5 | (650080-30) | (650080-30) | (650080-30) | (650080-30) |
| C3, 8, 9, 10, 14, 16, 17, 20, 21 | CAPACITOR 10MF 50V | 10 | (650085-55) | (650085-55) | (650085-55) | (650085-55) |
| C18 | CAPACITOR 10MF 50V | 1 | - | - | (650085-55) | (650085-55) |
| C19 | CAPACITOR 10MF 50V | 1 | - | - | - | (650085-55) |
| (U2) | RIVET BLIND 1/8 X .328 | 1 | (650139-05) | (650139-05) | (650139-05) | (650139-05) |
| R78, 79 | RESISTOR 1/2W 10% 1.0K | 2 | (650202-73) | (650202-73) | (650202-73) | (650202-73) |
| L1-7 | INDUCTOR FERRITE | 7 | 650300-05 | 650300-05 | 650300-05 | 650300-05 |
| U3 | IC LM324 QUAD OP AMP | 1 | 650358 | 650358 | 650358 | 650358 |
| Q3, 4 | TRANSISTOR MPS 4124 | 2 | 650367 | 650367 | 650367 | 650367 |
| Q1, 2 | TRANSISTOR PNP 625 MW | 2 | 650369 | 650369 | 650369 | 650369 |
| Y2 | CRYSTAL 861-T 32.768 | 1 | (650484) | (650484) | (650484) | (650484) |
| J3 | HEADER, R ANGLE, 100 CTR | 1 | (650530-06) | (650530-06) | (650530-06) | (650530-06) |
| TS1 | TRANSIENT SUPPRESSOR 6.8V | 1 | (650595-01) | (650595-01) | (650595-01) | (650595-01) |
| C5 | CAPACITOR, ELECTL, 330UF AX25V | 1 | (650624) | (650624) | (650624) | (650624) |
| U4 | IC.DCDR3TO 8LINE DIP1674 HC138 | 1 | 650699 | 650699 | 650699 | 650699 |
| C1, 2, 11, 23, 25 | CAPACITOR, .01 UF 100V | 5 | (650882-01) | (650882-01) | (650882-01) | 650882-01 |
| C6 | CAPACITOR 100UF 10% 100V | 1 | (650883-13) | (650883-13) | (650883-13) | (650883-13) |
| C26 | CAPACITOR, CERAMIC 220PF | 1 | (650883-17) | (650883-17) | (650883-17) | (650883-17) |
| U5, 8, 9 | IC 74HC259 8 BIT | 3 | 650889 | 650889 | 650889 | 650889 |
| U10 | IC 74HC259 8 BIT | - | - | 650889 | 650889 | 650889 |
| U6 | IC 74HC259 8 BIT | - | - | - | 650889 | 650889 |
| U7 | IC 74HC259 8 BIT | - | - | - | - | 650889 |
| DS1-7 | LED, CLEAR RED SUPER BRIGHT | 7 | 650910 | 650910 | 650910 | 650910 |
| U2 | REGULATOR, LOW DROP, 5V-L4947H | 1 | (650962) | (650962) | (650962) | (650962) |
| B1 | BATTERY, LITHIUM, 3.0 VOLTS | 1 | (651009) | (651009) | (651009) | (651009) |
| (B1) | HOLDER, COIN BATTERY, 20MM | 1 | (651010) | (651010) | (651010) | (651010) |
| U11 | I.C., TRICKLE CHARGE, DS1302 | 1 | (651011) | (651011) | (651011) | (651011) |
| U12 | SERIAL EEPROM, 4K X8, 24C32 | 1 | (651012) | (651012) | (651012) | (651012) |
| Y1 | RESONATOR, CERAMIC, 8.00MHZ | 1 | (651013) | (651013) | (651013) | (651013) |
| U13 | I.C., 8 BIT INPUT, 74HC251 | 1 | (651014) | (651014) | (651014) | (651014) |
| C4 | CAPACITOR, 1000UF, 25V ELECT, AX | 1 | (651054-12) | (651054-12) | (651054-12) | (651054-12) |
| RPF1 | POLYSWITCH, RXE SERIES | 1 | (651055-08) | (651055-08) | (651055-08) | (651055-08) |
| S9 | SWITCH SLIDE RIGHT ANGLE | 1 | (651292) | (651292) | (651292) | (651292) |
| J4 | HEADER, VERTICAL SINGLE | 1 | (651565-06) | (651565-06) | (651565-06) | (651565-06) |

Note: Part Number enclosed in brackets () are not available individually, but may be sold in assemblies or kits.



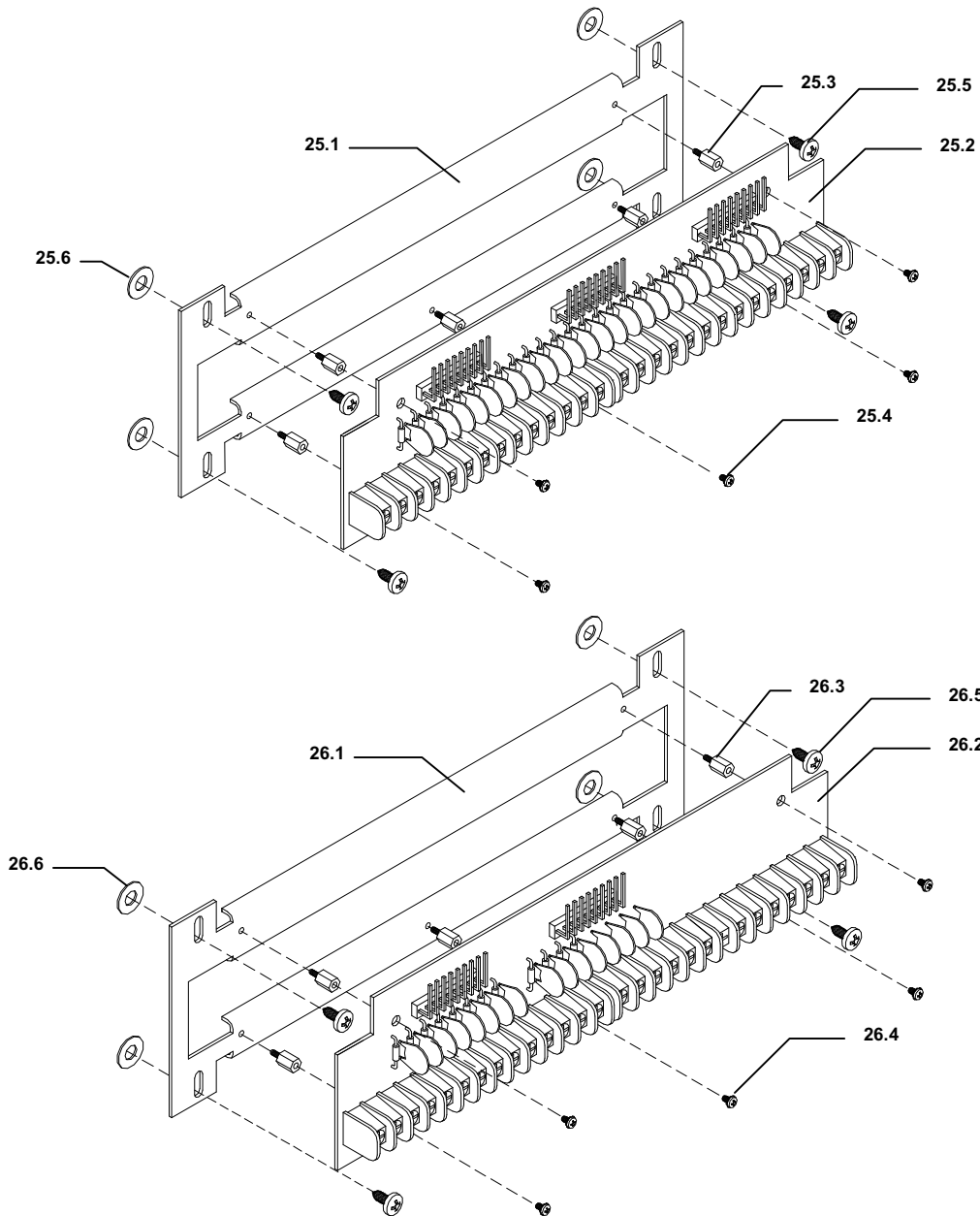
| Ref. | Description | Qty. | 110 VAC | | | |
|---------------|-----------------------------------|------|------------------|------------------|------------------|------------------|
| | | | STA 16 | STA 24 | STA 32 | STA 40 |
| 17.5 | TRIAC OUTPUT BOARD | | 635324-01 | 635324-02 | 635324-03 | 635324-04 |
| - | PWB FAB, TRIAC BOARD | 1 | (635325) | (635325) | (635325) | (635325) |
| (F2) | CLIP FUSE 1/4 DIA. PCB MOUNT | 2 | (650098) | (650098) | (650098) | (650098) |
| F2 | FUSE, SLOWBLOW, 250V, 2.5 AMP | 1 | (650431-28) | (650431-28) | (650431-28) | (650431-28) |
| R1 | RESISTOR, METAL OXIDE .1OHM 2W 2% | 1 | (650766-01) | (650766-01) | (650766-01) | (650766-01) |
| J7 | HEADER, 100CTR, 50CKT, LO PROFIL | 1 | (650872-50) | (650872-50) | (650872-50) | (650872-50) |
| LP1-4 | MOV, 47 VOLTS 1000 AMPS | 4 | 650875 | 650875 | 650875 | 650875 |
| J1 | HEADER .156CTR, 9CKT, STRT, LKNG | 1 | (650893-10) | (650893-10) | (650893-10) | (650893-10) |
| C1-16, 41, 42 | CAPACITOR, .01 UF 100V | 18 | (650882-01) | (650882-01) | (650882-01) | (650882-01) |
| C17-24 | CAPACITOR, .01 UF 100V | 8 | - | (650882-01) | (650882-01) | (650882-01) |
| C25-32 | CAPACITOR, .01 UF 100V | 8 | - | - | (650882-01) | (650882-01) |
| C33-40 | CAPACITOR, .01 UF 100V | 8 | - | - | - | (650882-01) |
| J2 | HEADER .156CTR, 9CKT, STRT, LKNG | 1 | (650893-09) | (650893-09) | (650893-09) | (650893-09) |
| J3 | HEADER .156CTR, 9CKT, STRT, LKNG | 1 | - | (650893-09) | (650893-09) | (650893-09) |
| J4 | HEADER .156CTR, 9CKT, STRT, LKNG | 1 | - | - | (650893-09) | (650893-09) |
| J5 | HEADER .156CTR, 9CKT, STRT, LKNG | 1 | - | - | - | (650893-09) |
| Q1-16, 41-42 | TRIAC, 6AMP, 400V, ISOLATED TAB | 18 | 651138 | 651138 | 651138 | 651138 |
| Q17-24 | TRIAC, 6AMP, 400V, ISOLATED TAB | 8 | - | 651138 | 651138 | 651138 |
| Q25-32 | TRIAC, 6AMP, 400V, ISOLATED TAB | 8 | - | - | 651138 | 651138 |
| Q33-40 | TRIAC, 6AMP, 400V, ISOLATED TAB | 8 | - | - | - | 651138 |
| J6 | HEADER, STRAIGHT, SQUARE 2 POS | 1 | (651491-02) | (651491-02) | (651491-02) | (651491-02) |
| J8 | HEADER, STRAIGHT, SQUARE 5 POS | 1 | (651491-05) | (651491-05) | (651491-05) | (651491-05) |

Note: Part Number enclosed in brackets () are not available individually, but may be sold in assemblies or kits.



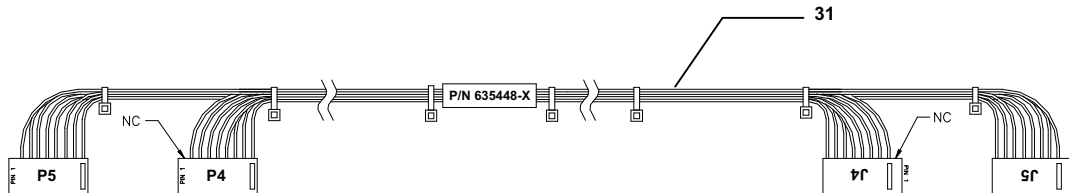
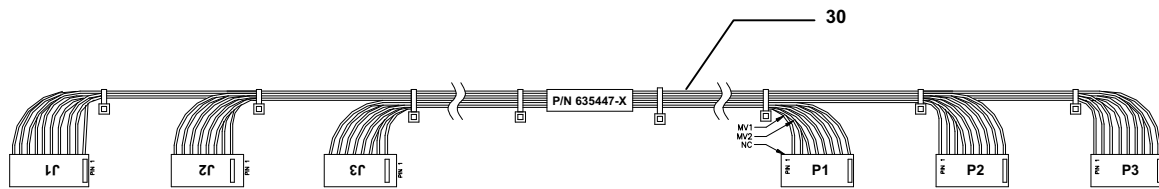
| Ref. | Description | Qty. | 220 VAC | | | |
|---------------|-----------------------------------|------|------------------|------------------|------------------|------------------|
| | | | STA 16 | STA 24 | STA 32 | STA 40 |
| 17.5 | TRIAC OUTPUT BOARD | | 635324-05 | 635324-06 | 635324-07 | 635324-08 |
| - | PWB FAB, TRIAC BOARD | 1 | (635325) | (635325) | (635325) | (635325) |
| (F2) | MINI FUSE CLIP | 2 | (650380) | (650380) | (650380) | (650380) |
| F2 | FUSE, MINI .197 DIA 220V 2.5 AMP | 1 | (650966-14) | (650966-14) | (650966-14) | (650966-14) |
| R1 | RESISTOR, METAL OXIDE .1OHM 2W 2% | 1 | (650766-01) | (650766-01) | (650766-01) | (650766-01) |
| J7 | HEADER, 100CTR, 50CKT, LO PROFIL | 1 | (650872-50) | (650872-50) | (650872-50) | (650872-50) |
| LP1-4 | MOV, 47 VOLTS 1000 AMPS | 4 | 650875 | 650875 | 650875 | 650875 |
| J1 | HEADER .156CTR, 9CKT, STRT, LKNG | 1 | (650893-10) | (650893-10) | (650893-10) | (650893-10) |
| C1-16, 41, 42 | CAPACITOR, .01 UF 100V | 18 | (650882-01) | (650882-01) | (650882-01) | (650882-01) |
| C17-24 | CAPACITOR, .01 UF 100V | 8 | - | (650882-01) | (650882-01) | (650882-01) |
| C25-32 | CAPACITOR, .01 UF 100V | 8 | - | - | (650882-01) | (650882-01) |
| C33-40 | CAPACITOR, .01 UF 100V | 8 | - | - | - | (650882-01) |
| J2 | HEADER .156CTR, 9CKT, STRT, LKNG | 1 | (650893-09) | (650893-09) | (650893-09) | (650893-09) |
| J3 | HEADER .156CTR, 9CKT, STRT, LKNG | 1 | - | (650893-09) | (650893-09) | (650893-09) |
| J4 | HEADER .156CTR, 9CKT, STRT, LKNG | 1 | - | - | (650893-09) | (650893-09) |
| J5 | HEADER .156CTR, 9CKT, STRT, LKNG | 1 | - | - | - | (650893-09) |
| Q1-16, 41-42 | TRIAC, 6AMP, 400V, ISOLATED TAB | 18 | 651138 | 651138 | 651138 | 651138 |
| Q17-24 | TRIAC, 6AMP, 400V, ISOLATED TAB | 8 | - | 651138 | 651138 | 651138 |
| Q25-32 | TRIAC, 6AMP, 400V, ISOLATED TAB | 8 | - | - | 651138 | 651138 |
| Q33-40 | TRIAC, 6AMP, 400V, ISOLATED TAB | 8 | - | - | - | 651138 |
| J6 | HEADER, STRAIGHT, SQUARE 2 POS | 1 | (651491-02) | (651491-02) | (651491-02) | (651491-02) |
| J8 | HEADER, STRAIGHT, SQUARE 5 POS | 1 | (651491-05) | (651491-05) | (651491-05) | (651491-05) |

Note: Part Number enclosed in brackets () are not available individually, but may be sold in assemblies or kits.



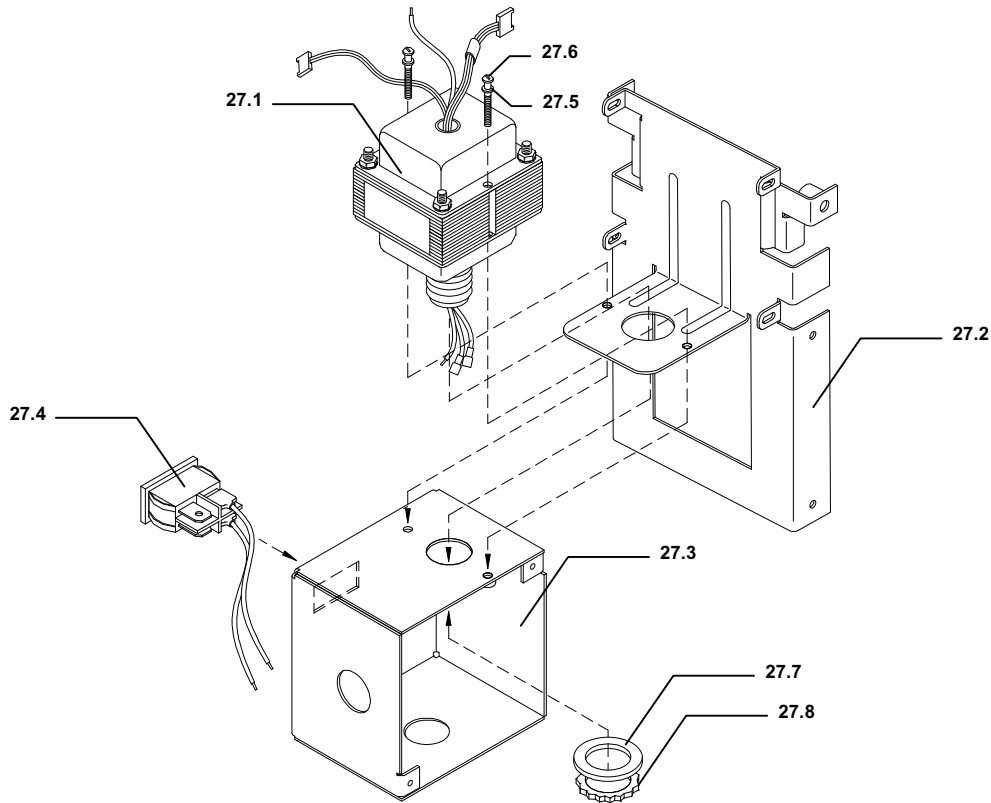
| Ref. | Description | Qty. | Part Number |
|-------------|--|-------------|--------------------|
| 25 | TERMINAL BOARD ASSEMBLY STATION 1-24 | | 635488 |
| 25.1 | PLATE, TERMINAL STRIP, STE | 1 | (635217) |
| 25.2 | PWB ASSY, ESC-1 TERM BRD | 1 | (635438-02) |
| 25.3 | STANDOFF HEX 1/4 X .25 6-32 | 5 | (650047-01) |
| 25.4 | SCREW, #6-32 X 1/4" PH | 5 | (650480-12) |
| 25.5 | SCREW, CAPTIVE PANEL PAN | 4 | (651517-06) |
| 25.6 | WASHER, PANEL SCREW RETAINER | 4 | (651518-06) |
| 26 | TERMINAL BOARD ASSEMBLY STATION 25-40 | | 635489 |
| 26.1 | PLATE, TERMINAL STRIP, STE | 1 | (635217) |
| 26.2 | PWB ASSY, ESC-1 TERM BRD | 1 | (635445-04) |
| 26.3 | STANDOFF HEX 1/4 X .25 6-32 | 5 | (650047-01) |
| 26.4 | SCREW, #6-32 X 1/4" PH | 5 | (650480-12) |
| 26.5 | SCREW, CAPTIVE PANEL PAN | 4 | (651517-06) |
| 26.6 | WASHER, PANEL SCREW RETAINER | 4 | (651518-06) |

Note: Part Number enclosed in brackets () are not available individually, but may be sold in assemblies or kits.



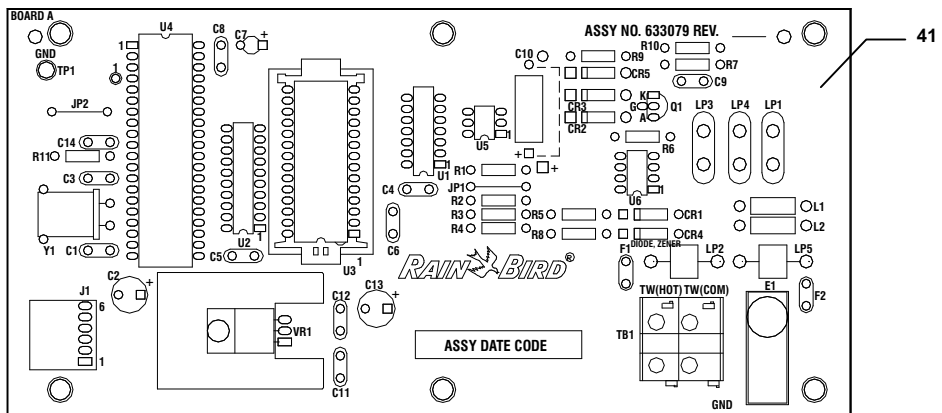
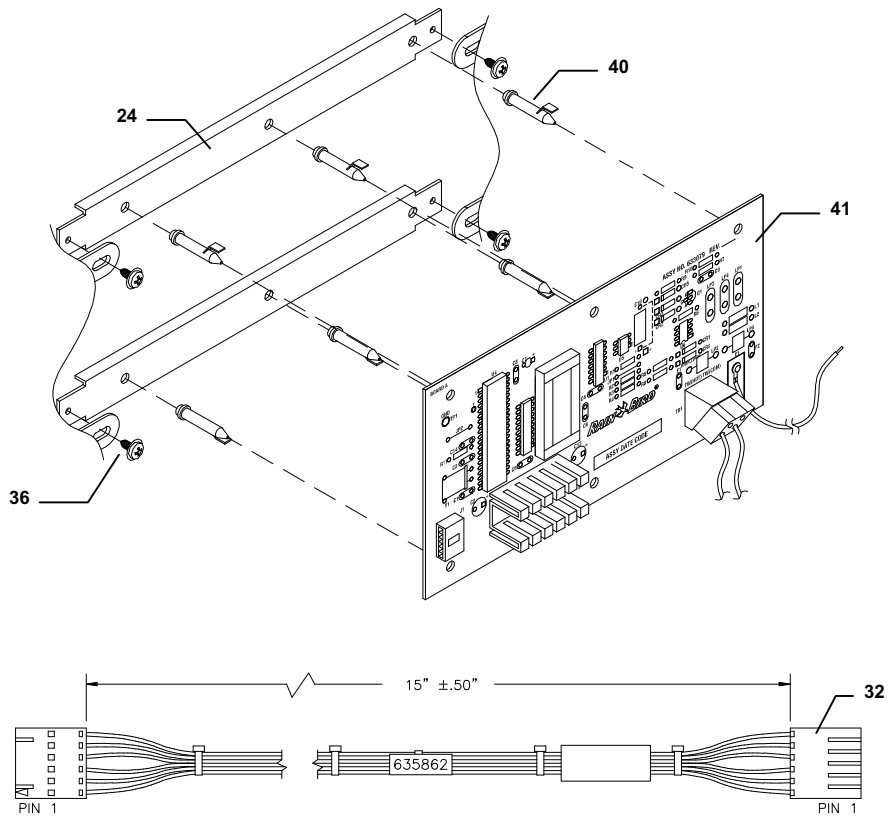
| Ref. | Description | Qty. | Part Number |
|------|----------------------------------|------|-------------|
| 30 | HARNES ASSY TERM BRD (STA 1-24) | 1 | 635447 |
| 31 | HARNES ASSY TERM BRD (STA 25-40) | 1 | 635448 |

Note: Part Number enclosed in brackets () are not available individually, but may be sold in assemblies or kits.



| Ref. | Description | Qty | 110 VAC | 220 VAC | 110 VAC LINK | 220 VAC LINK |
|-----------|--------------------------------|-----|------------------|------------------|------------------|------------------|
| 27 | POWER SUPPLY ESC-1 | | 635865-01 | 635865-02 | 635865-03 | 635865-04 |
| 27.1 | TRANSFORMER ASSY, 110 V | 1 | 633148-01 | - | - | - |
| 27.1 | TRANSFORMER ASSY, 220 V | 1 | - | 633148-02 | - | - |
| 27.1 | TRANSFORMER ASSY, 110 V (LINK) | 1 | - | - | 633165-01 | - |
| 27.1 | TRANSFORMER ASSY, 220 V (LINK) | 1 | - | - | - | (633165-02) |
| 27.2 | WALL BRACKET | 1 | (636805) | - | - | - |
| 27.3 | BOX, JUNCTION | 1 | (635429) | (635429) | (635429) | (635429) |
| 27.4 | MAIN SW ASSY, PP | 1 | 635861-01 | 635861-01 | 635861-01 | 635861-01 |
| 27.5 | WASHER #6 LOCK-SPRING | 2 | (650029-04) | (650029-04) | (650029-04) | (650029-04) |
| 27.6 | SCREW 8-32 X 2 3/4 PN HD | 2 | (650106-56) | (650106-56) | (650106-56) | (650106-56) |
| 27.7 | LOCK WASHER, EXTERNAL TOOTH | 1 | (651389) | (651389) | (651389) | (651389) |
| 27.8 | LOCKNUT CONDUIT | 1 | (628013) | (628013) | (628013) | (628013) |

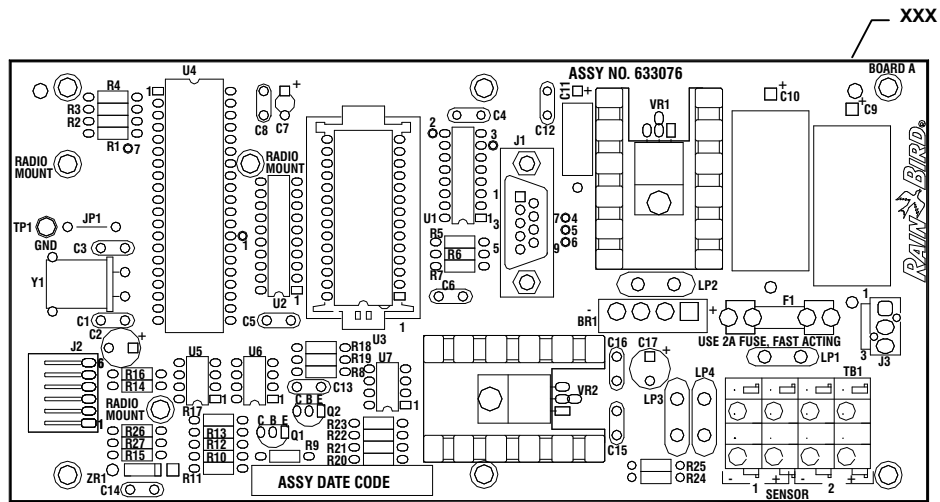
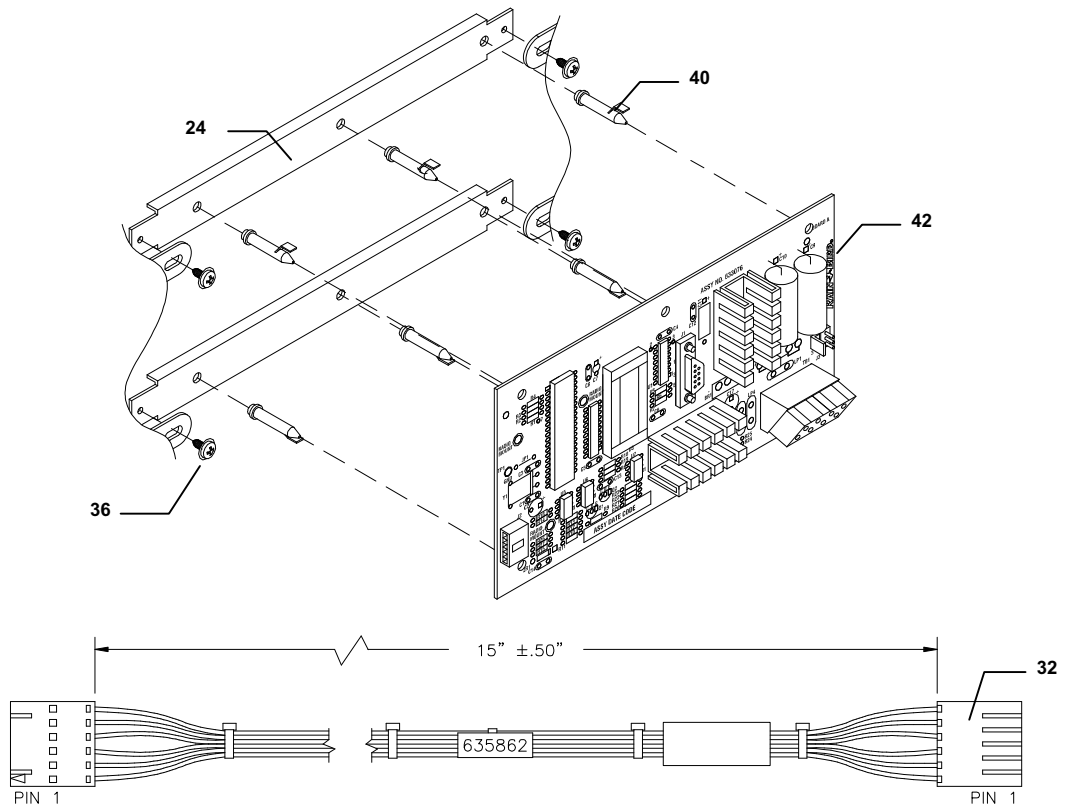
Note: Part Number enclosed in brackets () are not available individually, but may be sold in assemblies or kits.



Note: Part Number enclosed in brackets () are not available individually, but may be sold in assemblies or kits.

| Ref. | Description | Qty. | Part Number |
|-------------------------|--|-------------|--------------------|
| | MAXI INTERFACE BOARD KIT (TWO-WIRE) | | HN0610 |
| 24 | MIB BRACKET ESC-1 | 2 | (635490) |
| 32 | HARNESS ASSY, TW/LINK INT | 1 | (635862) |
| 40 | SPACER, CIRCUIT BOARD EDGE | 6 | (650912-09) |
| 36 | SCREW SELF SEALING 6-32 x .250 | 4 | (650480-12) |
| 46 | MAXI INTERFACE BOARD (MIB) TWO WIRE | 1 | (633079-02) |
| LP2, 5 | PROTECTOR, SURGE, SPARK GAP | 2 | 624625 |
| - | PWB FAB, 2WIRE INTFC BRD | 1 | (633080) |
| U3 | SOFTWARE ASSY, 2WIRE INTFC | 1 | 633321-04 |
| C1, 3 | CAPACITOR CERAMIC DISC, 50V(MIN)1PFT08200 | 2 | (650012-15) |
| C4, 5, 6, 8, 11, 12, 14 | CAPACITOR CERAMIC 0.1MF 50V | 7 | (650013-45) |
| LP1, 3, 4 | MOV 68VOLTS 500AMPS | 3 | (650016) |
| CR1, 4 | DIODE ZENER 1N5237 8.2V | 2 | (650038-12) |
| C9 | CAPACITOR 001UF 100V | 1 | (650040-57) |
| C10 | CAPACITOR ELECT AX 50V 47MF | 1 | (650046-13) |
| U5 | IC MOC3011 | 1 | 650070-01 |
| CR2, 3, 5 | DIODE 1N4002 | 3 | (650077-02) |
| R1 | RESISTOR 1/4W 10% 270 OHM | 1 | (650079-59) |
| R7, 10 | RESISTOR 1/4W 10% 1.0 K | 2 | (650079-73) |
| R6 | RESISTOR 1/4W 10% 1.3K | 1 | (650079-76) |
| R9, 11 | RESISTOR 1/4W 10% 4.7 K | 2 | (650079-89) |
| R2, 3, 5, 8 | RESISTOR 1/4W 10% 47 K | 4 | (650080-14) |
| R4 | RESISTOR 1/4W 10% 100 K | 1 | (650080-22) |
| (VR1) | RIVET BLIND 1/8 X .328 | 1 | (650139-05) |
| L1, 2 | INDUCTOR FERRITE | 2 | (650300-05) |
| VR1 | VOLTAGE REGULATOR 5V 7805 | 1 | (650332) |
| (VR1) | HEATSINK TO-220 HP | 1 | (650335) |
| Q1 | RECTIFIER 2N5062 SILICON | 1 | (650375) |
| U6 | IC, OPTO-COUPLER HCPL-2731 | 1 | 650445 |
| (U3) | SOCKET IC CARRIER 28PI | 1 | 650518-02 |
| U1 | IC, INVERTER 74HC14 | 1 | 650540 |
| C7 | CAPACITOR 2.2UF 25V TANTALUM | 1 | (650583-03) |
| C2, C13 | CAPACITOR 22UF 25V TANTALUM | 2 | (650583-09) |
| U2 | IC, 74HC373 3 STATE OCT LATCH | 1 | 650611 |
| Y1 | CRYSTAL, 11.0592 MHZ | 1 | 650721 |
| U4 | IC, MICROCONTROLLER, 80C32 | 1 | 651031 |
| F1, F2 | POLYSWITCH, RXE SERIES | 2 | (651055-08) |
| TB1 | TERM BLK300SPC W/2CNDCTS 2CKT | 1 | (651499) |
| J1 | HEADER, R.ANGLE, SINGLE ROW | 1 | (651523-06) |

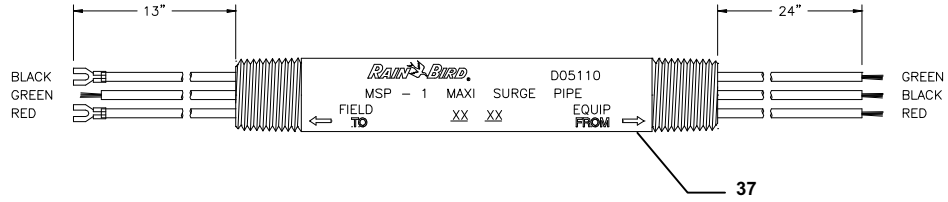
Note: Part Number enclosed in brackets () are not available individually, but may be sold in assemblies or kits.



Note: Part Number enclosed in brackets () are not available individually, but may be sold in assemblies or kits.

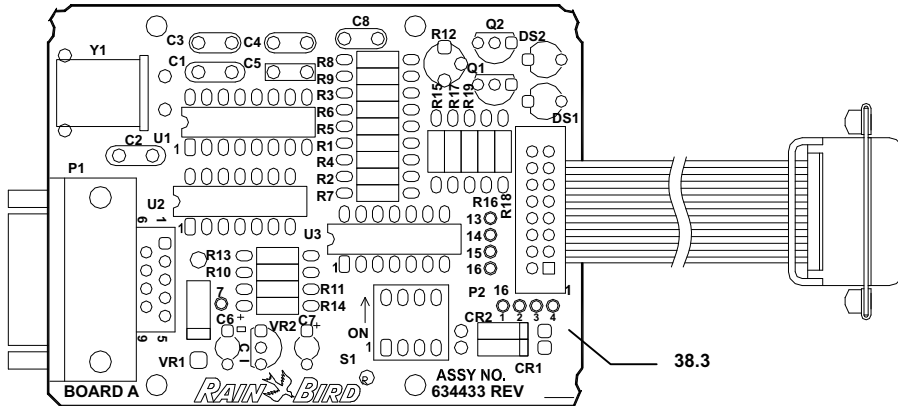
| Ref. | Description | Qty. | Part Number |
|-------------------------|---|------|---------------|
| | MAXI INTERFACE BOARD KIT (LINK) | | HN0620 |
| 24 | MIB BRACKET ESC-1 | 2 | (635490) |
| 32 | HARNESS ASSY, TW/LINK INT | 1 | (635862) |
| 40 | SPACER, CIRCUIT BOARD EDGE | 6 | (650912-09) |
| 36 | SCREW SELF SEALING 6-32 x .250 | 4 | (650480-12) |
| 47 | MAXI INTERFACE BOARD (MIB) LINK | 1 | (633076-02) |
| S1 | SWITCH, DIP, SP ST | 1 | (631012-02) |
| - | PWB FAB, LINK INTFC BRD | 1 | (633077) |
| U3 | SOFTWARE ASSY, LINK INTFC | 1 | (633323-03) |
| C1, C3 | CAPACITOR CERAMIC DISC, 50V(MIN)1PFTO8200 | 2 | (650012-15) |
| C4-6, 8, 12, 14, 15, 16 | CAPACITOR CERAMIC 0.1MF 50V | 8 | (650013-45) |
| C13 | CAPACITOR CERAMIC 500V .010MF | 1 | (650014-27) |
| LP1-4 | MOV 33VOLTS 500AMPS | 4 | 650015 |
| ZR1 | DIODE ZENER 1N5231B 5.1V | 1 | (650038-70) |
| C11 | CAPACITOR ELECT AX 25V 47MF | 1 | (650045-08) |
| R14 | RESISTOR 1/4W 10% 100 OHM | 1 | 650079-49 |
| R16, 17 | RESISTOR 1/4W 10% 270 OHM | 2 | (650079-59) |
| R20-23 | RESISTOR 1/4W 10% 1.0 K | 4 | (650079-73) |
| R15 | RESISTOR 1/4W 10% 1.5 K | 1 | (650079-77) |
| R24, 25, 26 | RESISTOR 1/4W 10% 2.0 K | 3 | (650079-80) |
| R5-9, R11, 13, 18, 19 | RESISTOR 1/4W 10% 4.7 K | 9 | 650079-89 |
| R27 | RESISTOR 1/4W 10% 10 K | 1 | (650079-97) |
| R1-4, 10, 12 | RESISTOR 1/4W 10% 47 K | 6 | (650080-14) |
| (VR1, 2) | RIVET BLIND 1/8 X .328 | 2 | (650139-05) |
| F1 | FUSE 5X20MM 2AMPS | 1 | (650307-03) |
| (F1) | CLIP FUSE. 197DIA PCB MNT | 2 | (650308) |
| VR2 | VOLTAGE REGULATOR 5V 7805 | 1 | 650332 |
| (VR1, 2) | HEATSINK TO-220 HP | 2 | (650335) |
| TP1 | TERMINAL TEST PT .067-078 | 1 | (650336-01) |
| Q1, 2 | TRANSISTOR PNP 625 MW | 2 | 650369 |
| U5, 6, 7 | IC, OPTO-COUPLER HCPL-2731 | 3 | 650445 |
| (U3) | SOCKET IC CARRIER 28PI | 1 | 650518-02 |
| BR1 | BRIDGE RECTIFIER, 200V 4AMP SIP | 1 | 650581-03 |
| C7 | CAPACITOR 2.2UFD 25V TANTALUM | 1 | 650583-03 |
| C2, 17 | CAPACITOR 22UFD 25V TANTALUM | 2 | 650583-09 |
| J1 | CONNECTOR | 1 | (650610-05) |
| U2 | IC, 74HC373 3 STATE OCT LATCH | 1 | 650611 |
| (J1) | JACK SOCKET KIT | 1 | (650620) |
| Y1 | CRYSTAL, 11.0592 MHZ | 1 | 650721 |
| U1 | IC, 74LS367 | 1 | 650776 |
| J2 | HEADER, ST. SQ. PIN 3 POS. | 1 | (650893-03) |
| VR1 | VOLTAGE REGULATOR 8V, 7808 | 1 | 650939 |
| C9, C10 | CAPACITOR ELECT. AXIAL 25V 3300MF | 2 | (650954) |
| U4 | IC, MICROCONTROLLER, 80C32 | 1 | 651031 |
| TB1 | TERM BLK300SPC W/2CNDCTS 4CKTS | 1 | (651498) |
| J2 | HEADER, R.ANGLE, SINGLE ROW | 1 | (651523-06) |

Note: Part Number enclosed in brackets () are not available individually, but may be sold in assemblies or kits.



| Ref. | Description | Qty. | Part Number |
|-------------|---------------------------------------|-------------|--------------------|
| 37 | TWO WIRE PIPE SURGE PROTECTOR (MSP-1) | | D05110 |
| | | | |
| | | | |
| | | | |
| | | | |

Note: Part Number enclosed in brackets () are not available individually, but may be sold in assemblies or kits.



| Ref. | Description | Qty. | Part Number |
|------------------------------|---------------------------------------|------|---------------|
| 38.3 | ASSY WIRELESS MODEM | | 634433 |
| C5 | CAP RAD.33MFD 50V | 1 | (626408) |
| P2 | CABLE ASSY. COMBOX | 1 | (632367) |
| C1, 3 | CAPACITOR CER DISC, 50V(MIN)1PFTO8200 | 2 | (650012-10) |
| C2, 4, 8 | CAPACITOR CER 0.1MF 50V | 3 | (650013-45) |
| CR1 | DIODE 1N4002 | 1 | 650077-02 |
| R15, 16 | RESISTOR 1/4W 10% 470 OHM | 2 | (650079-65) |
| R17, 18 | RESISTOR 1/4W 10% 4.7 K | 2 | 650079-89 |
| R5 | RESISTOR 1/4W 10% 10 K | 1 | (650079-97) |
| R3 | RESISTOR 1/4W 10% 20 K | 1 | (650080-05) |
| R1, 2, 7, 10, 11, 13, 14, 19 | RESISTOR 1/4W 10% 47 K | 8 | (650080-14) |
| R6 | RESISTOR 1/4W 10% 56 K | 1 | (650080-16) |
| R4 | RESISTOR 1/4W 10% 100 K | 1 | (650080-22) |
| (U1) | SOCKET, DIP, LOW PROFILE 16 PINS | 1 | (650081-03) |
| Q1, Q2 | TRANSISTOR, NPN 600MW PN2222 | 2 | 650084 |
| U2 | IC, INVERTER 74HC14 | 1 | 650540 |
| C7 | CAPACITOR 2.2UF 25V TANTALUM | 1 | 650583-03 |
| C6 | CAPACITOR 22UF 25V TANTALUM | 1 | 650583-09 |
| VR1 | TRANSIENT SUPPRESSOR 18V | 1 | 650595-22 |
| (CR2) | WIRE, A.I. | 1 | (650625-03) |
| R12 | POT, 10K OHM 1/4" SINGLE TURN | 1 | (650739-10) |
| Y1 | CRYSTAL, 3.579545 MHZ | 1 | (650759) |
| DS1, 2 | LED, CLEAR RED SUPER BRIGHT | 2 | 650910 |
| U3 | IC QUAD 2-INPUT EX-OR | 1 | 650937 |
| VR2 | VOLTAGE REGULATOR | 1 | 650938 |
| P1 | CONNECTOR PLUG RIGHT ANGLE PC | 1 | (651130-02) |
| U1 | IC, M X 614 1200 BPS | 1 | 651141 |

Note: Part Number enclosed in brackets () are not available individually, but may be sold in assemblies or kits.