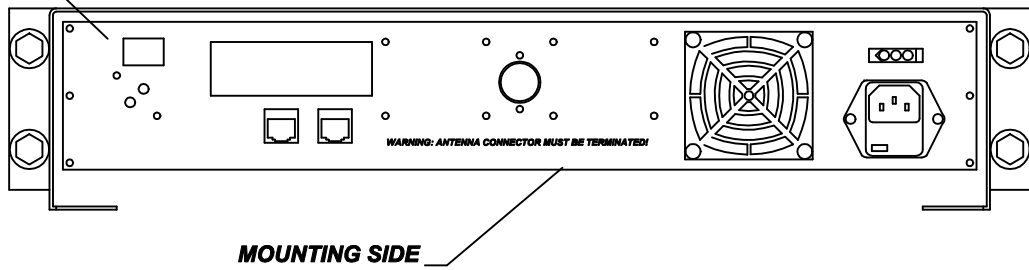
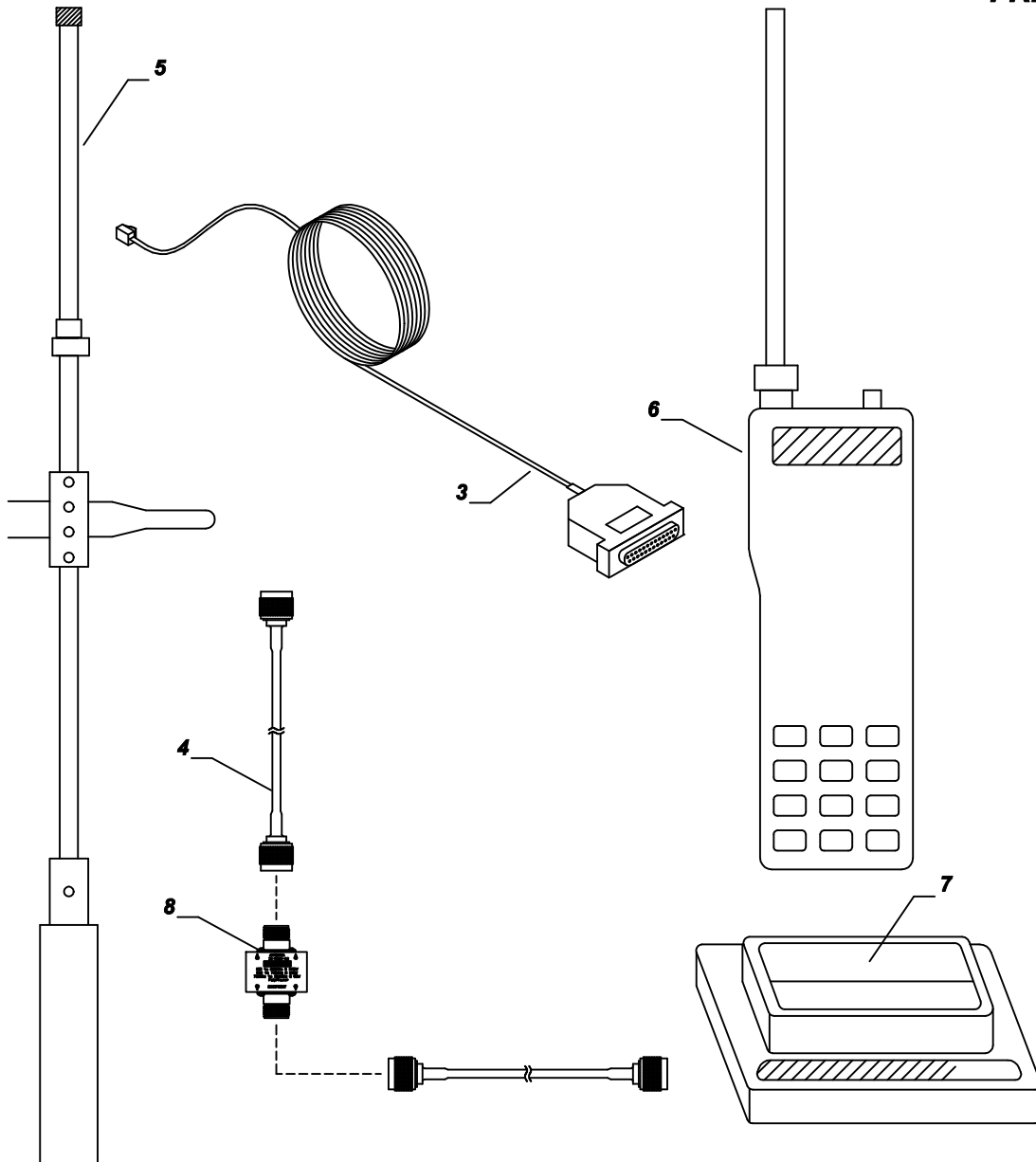


**BOTTOM VIEW**





| Ref. | Description  | Part No. | Qty.   |
|------|--|----------|--------|
|      | <b>The FREEDOM System Narrowband Synthesized Repeater*</b> |          |        |
|      | Standard Frequency (Transmit 452.1875 / Receive 457.1875)  |          | H59503 |
|      | Special Frequency (450 - 470 MHz)                          |          | H59504 |
|      | Canada Only (450 - 470 MHz)                                |          | H59300 |
| 1    | NARROWBAND SYNTHESIZED REPEATER                            | FRX-452  | 1      |
| 2    | AUTOPATCH  | RP-200   | 1      |
| 3    | COMPUTER CABLE   | FP-2PC   | 1      |
| 4    | RG-8/N COAXIAL CABLE                                       | RAC-02NN | 2      |
| 5    | 2.5 DB ANTENNA   | ROA-SS   | 1      |
| 6    | HANDHELD WITH DTMF**                                       | FTX-454  | 1      |
| 7    | QUICK-RATE CHARGER**                                       | FCP-FS   | 1      |
| 8    | POLYPHASER SURGE PROTECTOR                                 | HA1100   | 1      |

\*Requires complete Site Survey and FCC License or Notice of Coordination before shipping. Distributor will be responsible for FCC license fees for FREEDOM system.

\*\*Not included with Canadian version of the FREEDOM system.

Part Numbers are for reference only. Accessories are available only through Ritron, Inc.