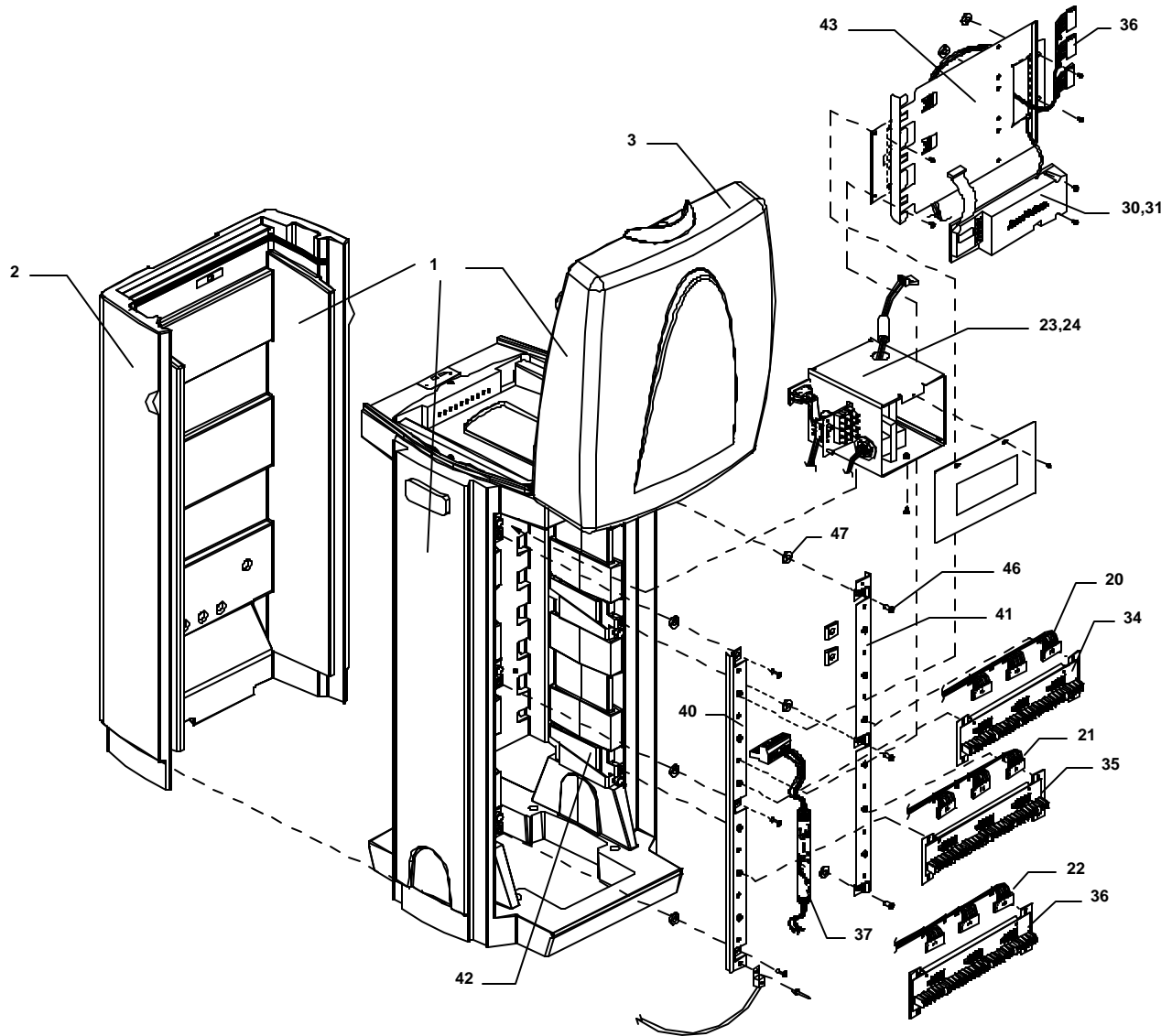


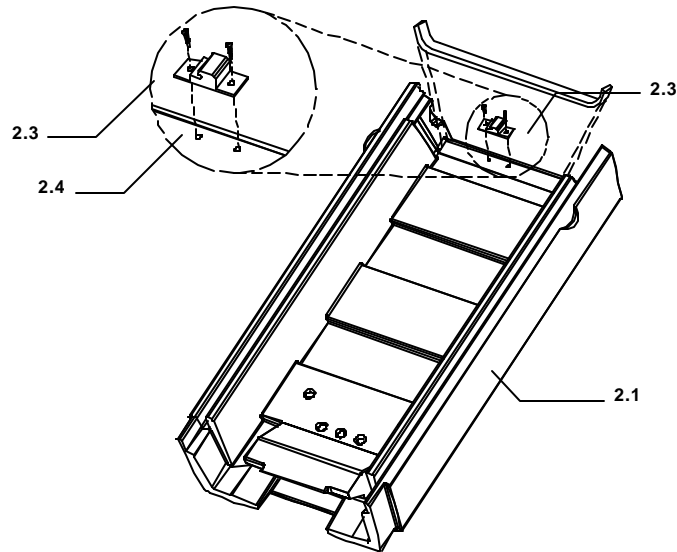
**Note: Part Number enclosed in brackets ( ) are not available individually, but may be sold in assemblies or kits.**



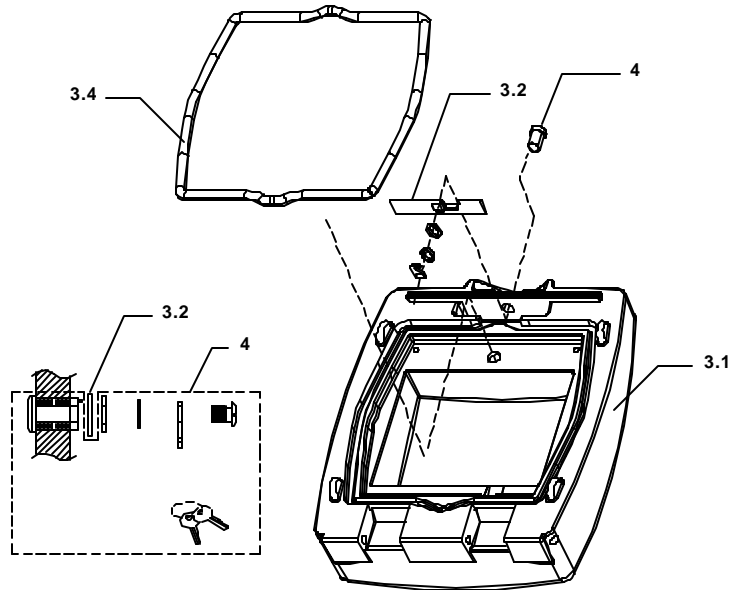
**Note: Part Number enclosed in brackets ( ) are not available individually, but may be sold in assemblies or kits.**

Ref.	Description	Qty.	Part Number
1	<b>PLASTIC PEDESTAL SUB-ASSY, RP GRAY</b>	1	<b>H44010</b>
2	DOOR	2	(635454-02)
3	LID	1	(635455-02)
4	LOCK,NOTCHED CAM	1	635192
5	PLATE, LOCK,SST	1	(635469)
6	BRACKET, HINGE, SST. LEFT	1	(635470-01)
7	BRACKET, HINGE, SST. RIGHT	1	(635470-02)
8			
9	<b>PEDESTAL MOUNTING KIT</b>	1	<b>635780</b>
10	BAG,POLY 6 X 8	1	(601846)
11	BAG, POLY 15X24	1	(632308-01)
12	MOUNTING TEMPLATE	1	(635233)
13	ANCHOR BOLT	4	(635258-02)
14	LABEL, BOLT. PPED, TEMPLATE	1	(635824)
15	WASHER 5/16 LOCK-SPRING	4	(650029-07)
16	NUT, HEX 5/16	8	(650033-07)
17	WASHER FLAT 5/16 TYPE B	4	650441)
18	<b>MANUAL,INSTALLATION PAR+ES</b>	1	<b>(635778)</b>
19	<b>MANUAL,OPERATION PAR+ES</b>	1	<b>(635777)</b>
20	<b>HARNESS ASSY TERMINAL BOARD STA 1-24</b>	1	<b>H60331</b>
21	<b>HARNESS ASSY TERMINAL BOARD STA 25-48</b>	1	<b>H60341</b>
22	<b>HARNESS ASSY TERMINAL BOARD STA 49-72</b>	1	<b>H60351</b>
23	<b>POWER SUPPLY SUBASSY</b>	1	<b>635224-01</b>
24	<b>POWER SUPPLY SUBASSY, LINK</b>	1	<b>635224-02</b>
25	LABEL,INSTRUCTION PAR+ES	1	(635704)
26	<b>CONTROL MODULE ASSY, PAR+ES</b>	1	<b>635711-01</b>
27	<b>MAXI I/F MODULE, TWO WIRE</b>		<b>H44500</b>
28	<b>MAXI I/F MODULE, LINK</b>		<b>H44550</b>
29	<b>INTERCONNECT/PWR SUP SUB-ASSY</b>	1	<b>633226-03</b>
30	<b>OUTPUT STATION MODULE (OSM)</b>	2 - 9	<b>HA0100</b>
31	<b>OUTPUT STATION MODULE W/ SWITCHES (OSM-S)</b>	2 - 9	<b>HA0200</b>
32	PLATE,OSM SUB-ASSY	1	(635225-02)
33	BEZEL PLASTIC SUB-ASSY	1	(635229)
34	<b>BRACKET-BOARD ASSY, STA 1-24</b>	1	<b>H60311</b>
35	<b>BRACKET-BOARD ASSY, STA 25-48</b>	1	<b>H60321</b>
36	<b>BRACKET-BOARD ASSY, STA 49-72</b>	1	<b>H60361</b>
37	<b>TWO-WIRE PIPE SUB-ASSY</b>	1	<b>D05110</b>
38	<b>ANTENNA PANEL ASSY</b>	1	<b>H41006</b>
39	<b>ANTENNA 450-470MHz</b>	1	<b>H60140</b>
40	RAIL MOUNTING LEFT STEEL	1	(635540)
41	RAIL MOUNTING RIGHT STEEL	1	(635541)
42	MOUNTING CLIPS	12	(635036)
43	<b>PAR+ES UPGRADE KIT</b>	1	<b>HP5050</b>
44	WASHER CRES #8	4	(650062-09)
45	SCREW 8-32 5/8 PN HD	8	(650106-46)
46	STUD PHILLIPS, OVAL STEEL	8	(651511)
47	RETAINER, BLACK NYLON	8	(651512)
48	TWIST LOCK	2	(651567)
49	TUBING, RUBBER 5/8"	2	(651570-04)
50	TERMINAL BLOCK TWO-WIRE	1	(651501)

**Note: Part Number enclosed in brackets ( ) are not available individually, but may be sold in assemblies or kits.**

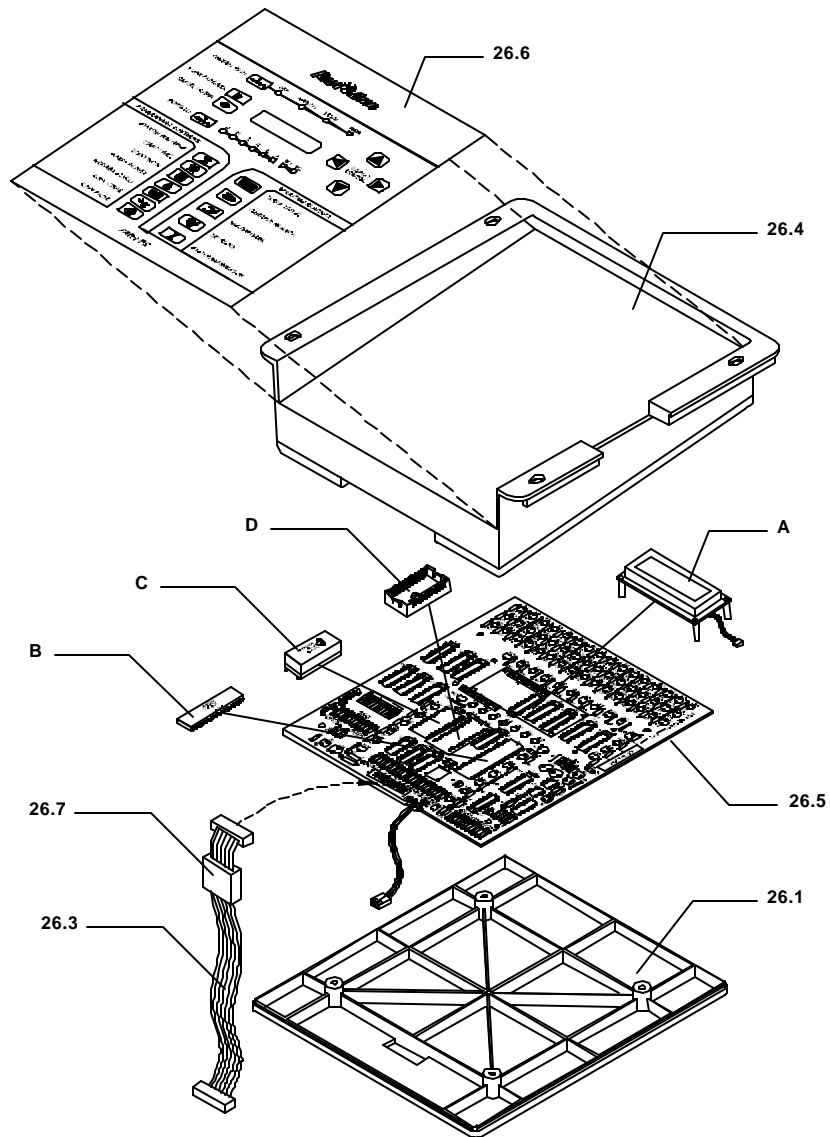


Ref.	Description	Qty.	Part Number
<b>2</b>	<b>DOOR RP SUB-ASSY RP</b>		<b>(635454-02)</b>
2.1	DOOR, PLASTIC PEDESTAL	1	(635031-02)
2.2	SCREW,SLFTPG,PNH,#6-20 .625,SS	2	(650440-26)
2.3	WEATHER-STRIP	1.75 ft	(651562)
2.4	DOOR LATCH 10LBS	1	(651569)



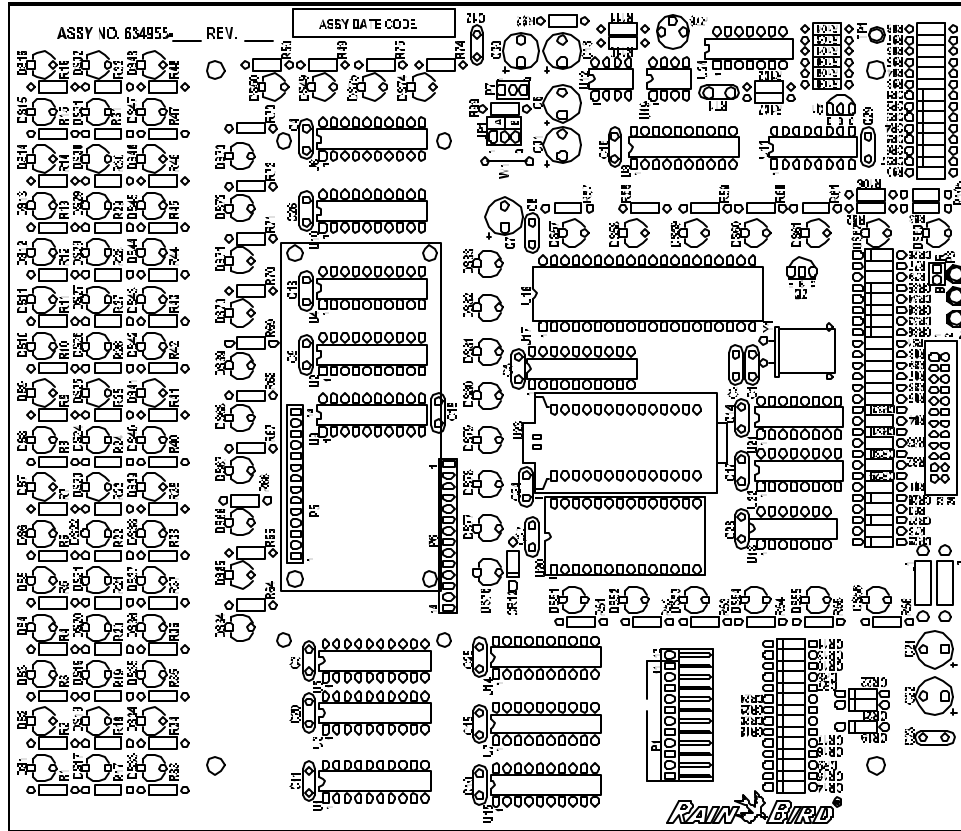
Ref.	Description	Qty.	Part Number
<b>3</b>	<b>LID RP SUB-ASSY</b>		<b>(635455-02)</b>
3.1	LID, PLASTIC PEDESTAL	1	(635432-02)
4	LOCK,NOTCHED CAM	1	(635192)
3.2	BRACKET, ALIGNMENT, SST	1	(635468)
3.3	PLUG, HOLE, SNAP-IN.	1	(651559)
3.4	GASKET,D SHAPE 3/8X 7/16	4 ft	(651573)

**Note: Part Number enclosed in brackets ( ) are not available individually, but may be sold in assemblies or kits.**



Ref.	Description	Qty.	Part Number
<b>26</b>	<b>CONTROL MODULE ASSY,PAR+ES</b>		<b>635711-01</b>
26.1	ASSY,CONT MOD COVER PAR+/MSC+	1	(634888-03)
26.2	SCREW 7-19X1/2 HILO RC-7	4	(622922)
26.3	HARNESS ASSY,CABLE-PAR/MSC+	1	633176
26.4	PANEL,FRONT-PAR/MSC+	1	(633201)
26.5	PAR+ES PWB ASSY MAIN LOGIC BOARD	1	(634955-05)
A	LCD BACKLIGTH ASSY PAR+/PAR+ES	1	635308
B	IC, MICROCONTROLLER, 80C32	1	651031
C	IC, CLOCK AND 64K RAM, DS1243Y	1	650718
D	SOKET IC CARRIER 2 28PIN	1	650622-10
26.6	OVERLAY,MEMBRANE SWITCH,PAR+ES	1	635706
26.7	FERRITE,FLAT CABLE SNAP-IT	1	(651612)

**Note: Part Number enclosed in brackets ( ) are not available individually, but may be sold in assemblies or kits.**

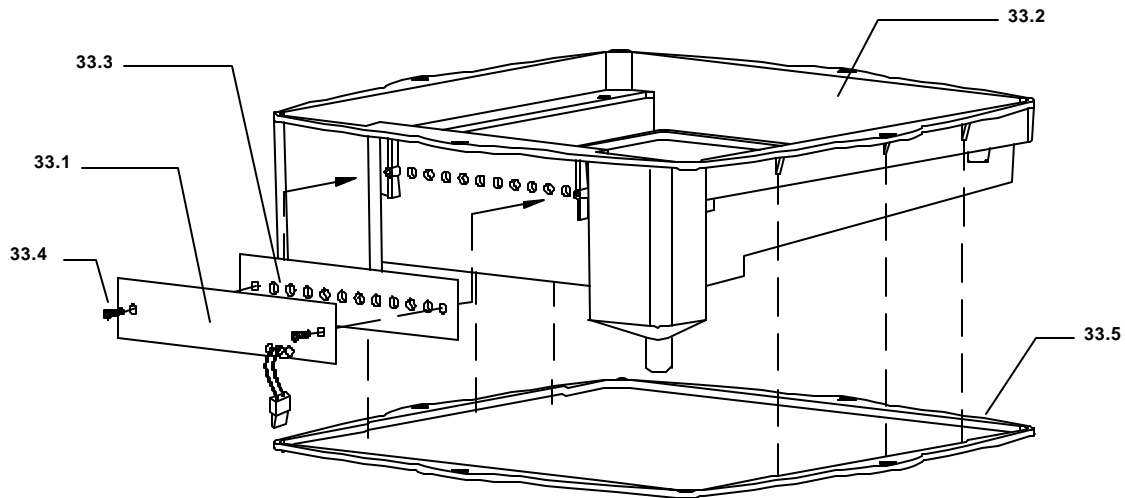


Ref.	Description	Qty.	Part Number
<b>26.5</b>	<b>MAIN LOGIC PWB ASSEMBLY PAR+ES</b>		<b>634955-05</b>
P3	HARNESS ASSY PLUG F/P LIGHT	1	(635152)
(P5)	LCD BACKLIGHT ASSY, PAR+	1	635308
U23	S/W M/ASSY,M/L BRD V10	1	(635708)
C1,C2	CAPACITOR CER DISC,50V(MIN)1PFT08200	2	(650012-15)
C25-29,12,29,23,24	CAPACITOR CER 0.1MF 50V	14	650013-45
CR7-13	DIODE IN4148	7	650037-01
CR14-38, CR1-6	DIODE ZENER 1N5231B 5.1V	31	(650038-70)
R92	RESISTOR 1/4W 10% 4.7 OHM	1	(650079-17)
R108	RESISTOR 1/4W 10% 100 OHM	1	650079-49
R109	RESISTOR 1/4W 10% 220 OHM	1	(650079-57)
R93-98,R78-84,R86-91	RESISTOR 1/4W 10% 330 OHM	19	(650079-61)
R64-75	RESISTOR 1/4W 10% 560 OHM	12	(650079-67)
R77,R85	RESISTOR 1/4W 10% 2.7 K	2	(650079-83)
R99	RESISTOR 1/4W 10% 4.7 K	1	650079-89
R105	RESISTOR 1/4W 10% 5.6 K	1	(650079-91)
R100-104	RESISTOR 1/4W 10% 10 K	5	(650079-97)
R106	RESISTOR 1/4W 10% 22 K	1	650080-06
R107	RESISTOR 1/4W 10% 39 K	1	(650080-12)
R110,111	RESISTOR 1/4W 10% 100 K	2	(650080-22)
Q2	TRANSISTOR, NPN 600MW PN2222	1	650084

**Note: Part Number enclosed in brackets ( ) are not available individually, but may be sold in assemblies or kits.**

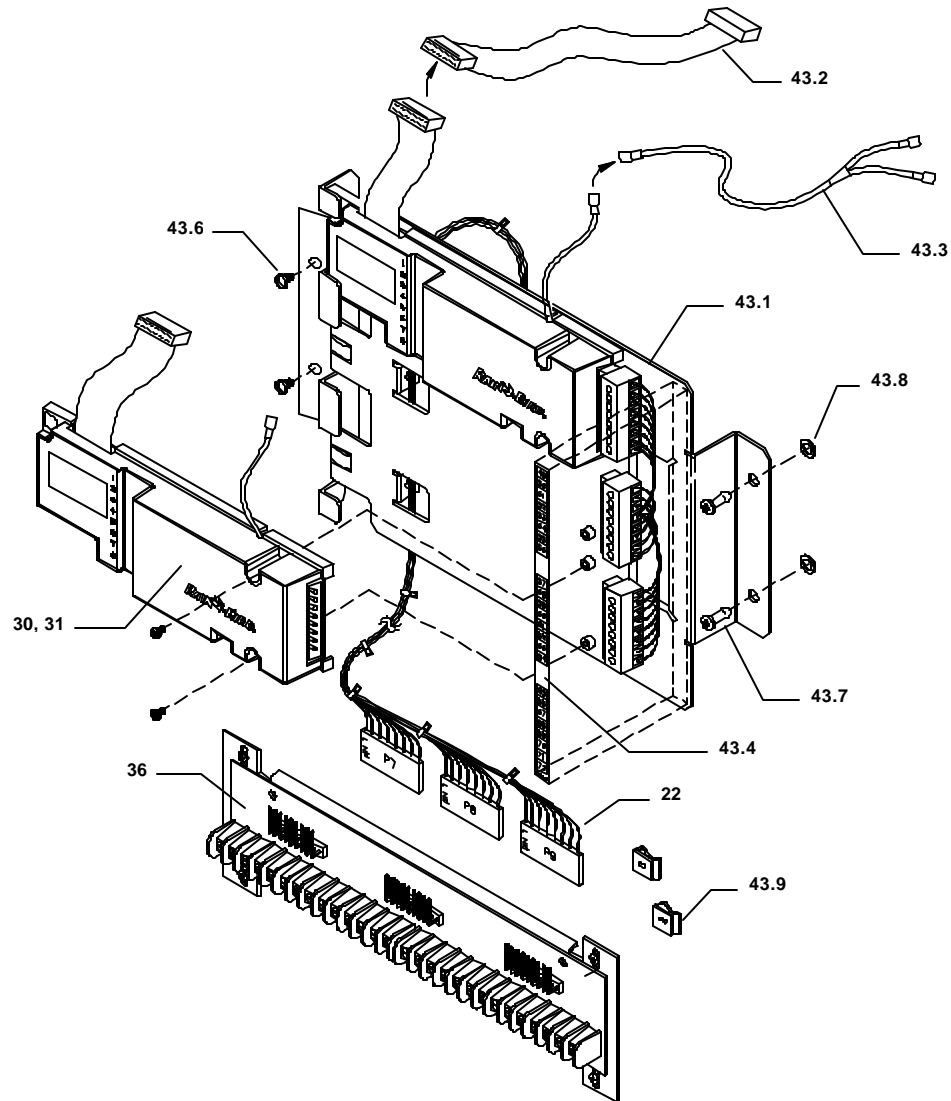
<b>Ref.</b>	<b>Description</b>	<b>Qty.</b>	<b>Part Number</b>
L1,L2	INDUCTOR FERRITE	2	650300-05
TP1	TERMINAL TEST PT .067-078	1	(650336-01)
U24	IC, QUAD OP AMP LM324	1	650358
Q1	TRANSISTOR PNP 625 MW	1	650369
P7	HEADER, 3 POSITION 1"	1	(650454-03)
(U23)	SOCKET IC CARRIER 28PI	1	650518-02
P1	HEADER, .100CTRS, 11CKT, FL RTANG	1	(650530-11)
C7,C22	CAPACITOR 2.2UFD 25V TANTALUM	2	650583-03
C6, 13,30,31	CAPACITOR 22UFD 25V TANTALUM	4	650583-09
C21	CAPACITOR 47.0 UF,,25V,TANTALUM	1	(650583-11)
U19	IC MICROPOWER MONITOR & WDT	1	650585
U9,10,14,15,17	IC, 3 STATE OCT LATCH 74HC373	5	650611
U18	IC, NAND 2-IN QUAD 74HC00	1	650612
U21,22	IC, DECODER 1-OF-8 74HC238	2	650613
U20	SOCKET,DIP,28POS, ULTRA LOW PROFILE	1	650622-10
W1,(Y1)	WIRE, A.I.	4	(650625-03)
U11	IC.DECODER 3 TO 8 LINE DIP16 74HC138	1	650699
U20	IC, CLOCK AND 64K RAM DS1243Y	1	650718
Y1	CRYSTAL, 11.0592 MHZ	1	650721
R76	POT, 100K OHM 1/4" SINGLE TURN	1	(650739-14)
P2	HEADER, LOW PROFILE 24 POS.	1	(650872-24)
DS76,-83,65,67,69,71	LED, CLEAR RED SUPER BRIGHT	12	650910
P5,P6	SOCKET,ELEV TERM STRIP, 14 CKTS	1	(651029-14)
U16	IC, MICROCONTROLLER,80C32	1	651031
RT1	THERMISTOR, 5%,6.8K,3980	1	(651149-06)
U2	IC, CONVERTER DC/DC VOLT ( LT 1026)	1	(651455)

**Note: Part Number enclosed in brackets ( ) are not available individually, but may be sold in assemblies or kits.**



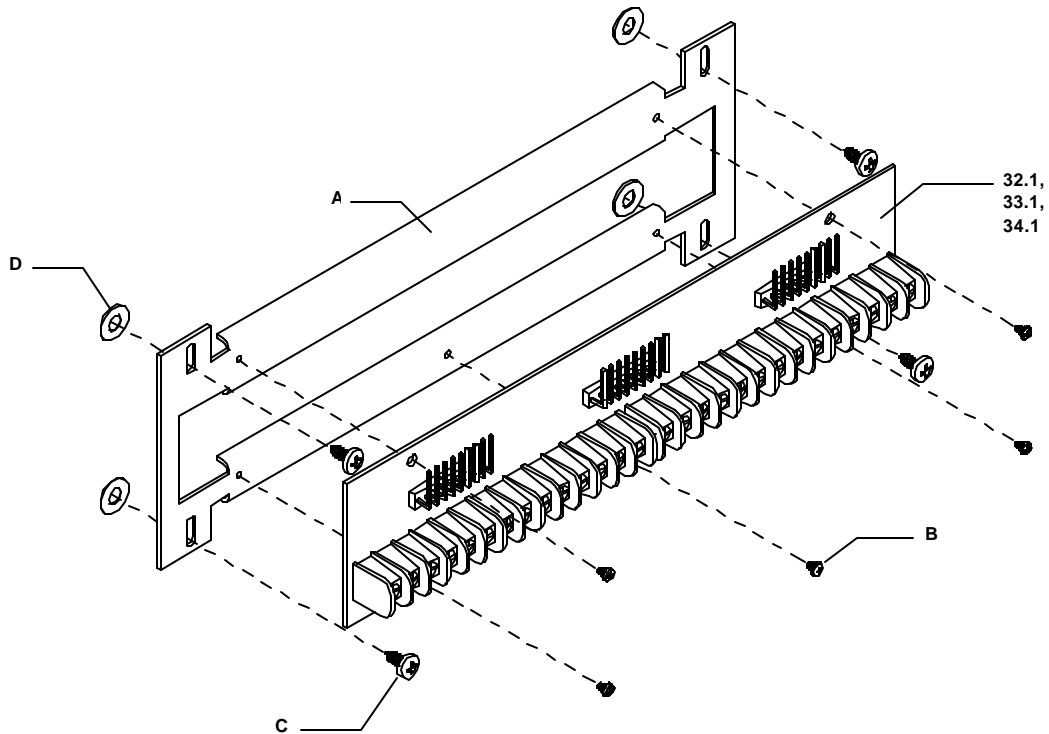
<b>Ref.</b>	<b>Description</b>	<b>Qty.</b>	<b>Part Number</b>
<b>33</b>	<b>BEZEL PLASTIC SUB-ASSY</b>	<b>1</b>	<b>(635229)</b>
33.1	PWB ASSY; FRONT PANEL LIGHT	1	635118
33.2	BEZEL TRAY PLASTIC, PAR+/MSC+	1	(635496)
33.3	GASKET, BEZEL LEDS	1	(635508)
33.4	SCREW, 4-24 X 1/4 HI-LO W/WSHR	2	(650563-22)
33.5	GASKET, FOAM BEZEL TRAY	1	(651568)

**Note: Part Number enclosed in brackets ( ) are not available individually, but may be sold in assemblies or kits.**



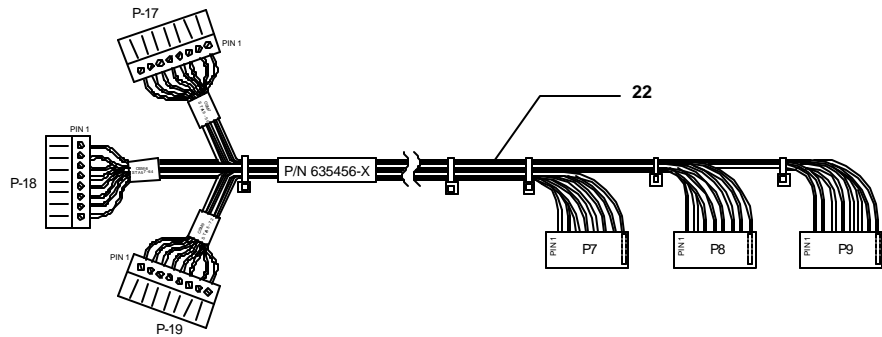
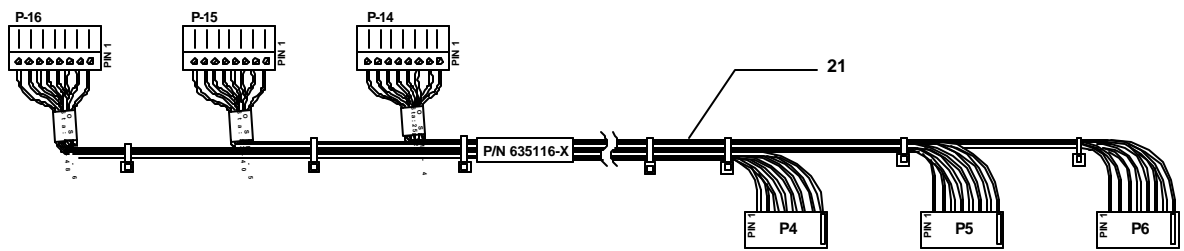
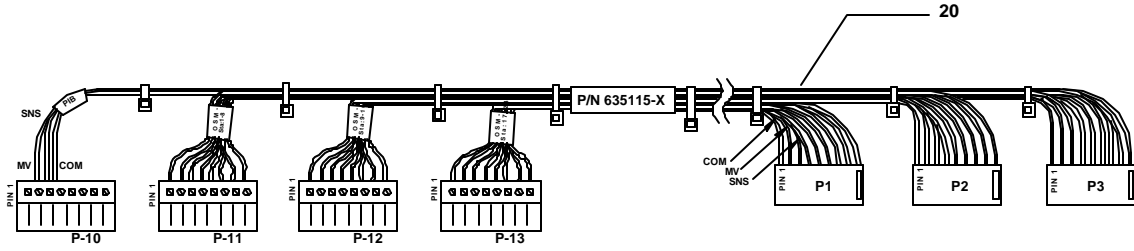
Ref.	Description	Qty.	Part Number
<b>43</b>	<b>PAR+ES UPGRADE KIT</b>		<b>HP5050</b>
43.1	BRACKET, MOUNTING STEEL, 72 STA	1	(635542)
43.2	CABLE HARNESS ASSY	1	635569
43.3	CABLE ASSEMBLY, Y	1	635599
43.4	LABEL, ST I.D., 72 STA	1	(635638)
43.5	CABLE TIE, NYLON 7/8 BUNDLE	2	650131
43.6	SCREW, PAN HD, #10 X 1/4"	2	(650754-57)
43.7	STUD PHILLIPS, OVAL STEEL	2	(651511)
43.8	RETAINER, BLACK NYLON	2	(651512)
43.9	RECEPTACLE, 1/4 TURN STEEL	2	(651597)
22	HARNESS ASSY TERMINAL BRD STA 49-72	1	H60351
36	BRACKET-BOARD ASSY STA 49-72	1	H60361
30	OUTPUT STATION MODULE		HA0100
31	OUTPUT STATION MODULE W/ STATION SWITCHES		HA0200

**Note: Part Number enclosed in brackets ( ) are not available individually, but may be sold in assemblies or kits.**



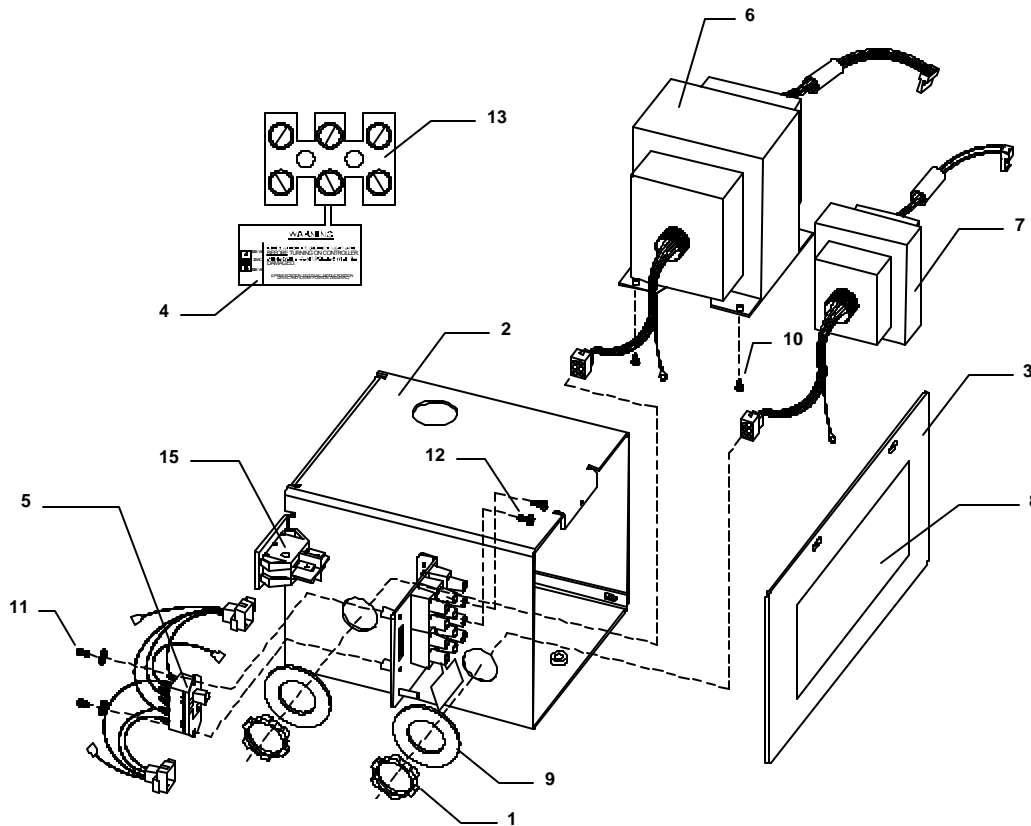
Ref.	Description	Qty.	Part Number
<b>34</b>	<b>TERMINAL BOARD ASSEMBLY STATION 1-24</b>		<b>H60311</b>
34.1	PWB ASSY PAR+ TERM BRD 1-24	1	(635121)
A	PLATE, TERMINAL STRIP, STE	1	(635217)
B	SCREW 6-32 X 3/8	5	(650105-28)
C	SCREW, CAPTIVE PANEL PAN	4	(651517-06)
D	WASHER, PANEL SCREW RETAINER	4	(651518-06)
<b>35</b>	<b>TERMINAL BOARD ASSEMBLY STATION 25-48</b>		<b>H60321</b>
35.1	PWB ASSY PAR+ TERM BRD 25-48	1	(635124)
A	PLATE, TERMINAL STRIP, STE	1	(635217)
B	SCREW 6-32 X 3/8	5	(650105-28)
C	SCREW, CAPTIVE PANEL PAN	4	(651517-06)
D	WASHER, PANEL SCREW RETAINER	4	(651518-06)
<b>36</b>	<b>TERMINAL BOARD ASSEMBLY STATION 49-72</b>		<b>H60361</b>
36.1	PWB ASSY PAR+ TERM BRD 49-72	1	(635560)
A	PLATE, TERMINAL STRIP, STE	1	(635217)
B	SCREW 6-32 X 3/8	5	(650105-28)
C	SCREW, CAPTIVE PANEL PAN	4	(651517-06)
D	WASHER, PANEL SCREW RETAINER	4	(651518-06)

**Note: Part Number enclosed in brackets ( ) are not available individually, but may be sold in assemblies or kits.**



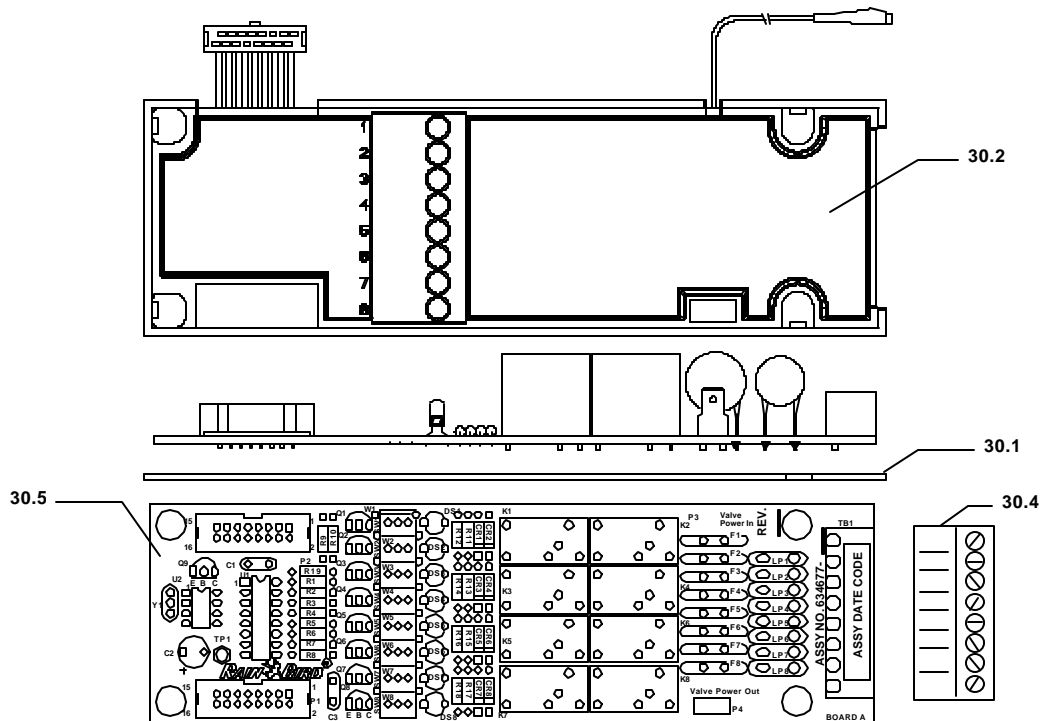
Ref.	Description	Qty.	Part Number
20	HARNESS ASSY TERMINAL BOARD STA 1-24	1	H60331
21	HARNESS ASSY TERMINAL BOARD STA 25-48	1	H60341
22	HARNESS ASSY TERMINAL BOARD STA 49-72	1	H60351

Note: Part Number enclosed in brackets ( ) are not available individually, but may be sold in assemblies or kits.



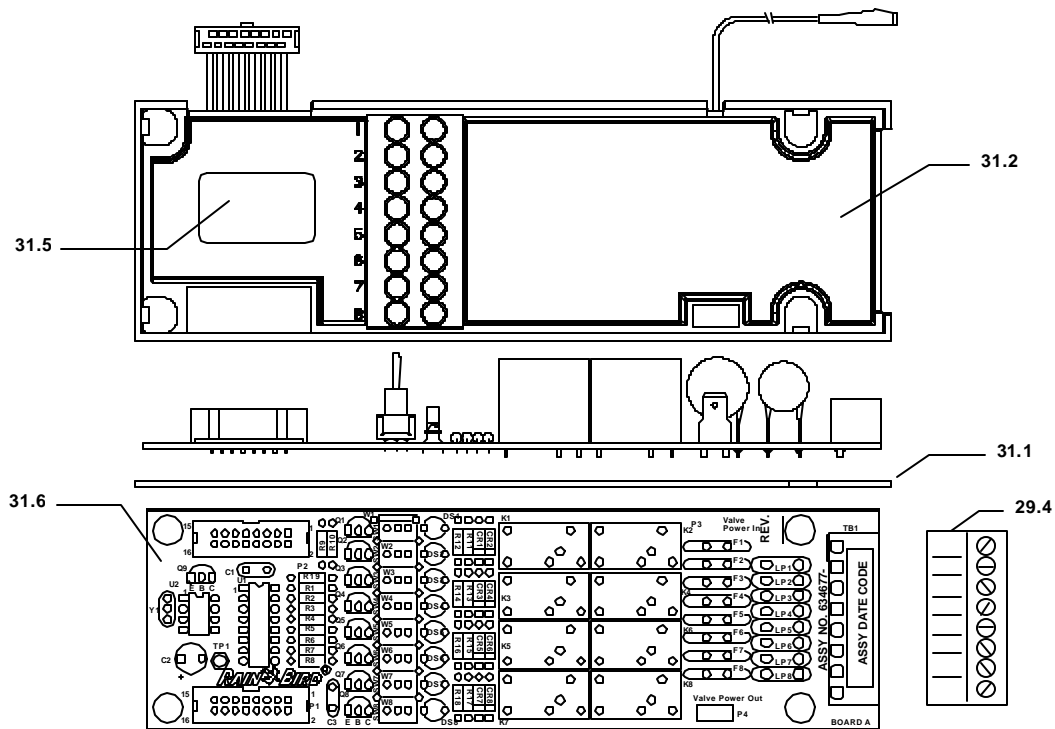
Ref.	Description	Qty.	Part Number	Part Number (LINK)
23	<b>POWER SUPPLY PAR+/MSC+</b>		<b>635224-01</b>	
24	<b>POWER SUPPLY PAR+/MSC+ LINK</b>			<b>635224-02</b>
1	LOCKNUT CONDUIT	1(2)	(628013)	(628013)
2	BOX,XFMR,STEEL	1	(635113)	(635113)
3	COVER,XFRM STEEL	1	(635114)	(635114)
4	LABEL, PWR SUPP.	1	(635154)	(635154)
5	SWITCH,VOLTAGE SELECTOR	1	(633204)	(635204)
6	<b>TRANSFORMER CONECTOR ASSY</b>	1	<b>633252</b>	<b>633252</b>
7	<b>TRANSFORMER CONNECTOR ASSY LINK</b>	0 (1)		<b>633254</b>
8	LABEL,COVER STEEL XFMR	1	(635226)	(635226)
9	WASHER, FLAT 7/8" .090	1(2)	(650023-43)	(650023-43)
10	SCREW, SCFTPG,PNH,#8-18.375L	4	(650104-41)	(650104-41)
11	SCREW 4-40 3/8L PN HD	2	(650105-15)	(650105-15)
12	SCREW 8-32	2	(650105-48)	(650105-48)
13	TERMINAL BLOCK DOUBLE ROW	1	(651495-03)	(651495-03)
14	TERMINAL BLOCK DOUBLE ROW MALE	1	(651496-03)	(651496-03)
15	SWITCH,DPST,ROCKER WITH	1	(651503)	(651503)

Note: Part Number enclosed in brackets ( ) are not available individually, but may be sold in assemblies or kits.



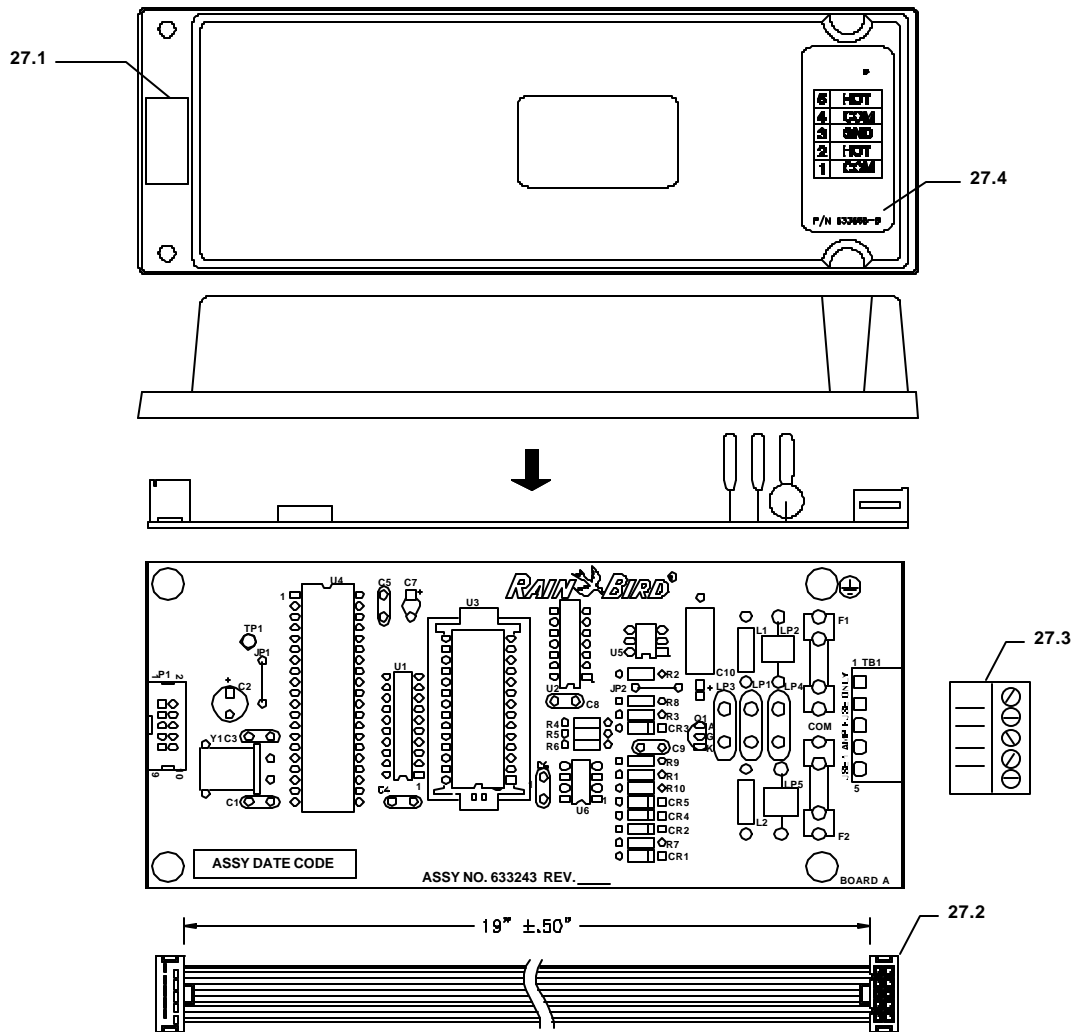
Ref.	Description	Qty.	Part Number
<b>30</b>	<b>OUTPUT STATION MODULE</b>		<b>HA0100</b>
30.1	SHIELD, INSUL, U.L. 94V0, OSM PWB	1	633852
30.2	COVER, OUTPUT STATION MODULE	1	(634644-01)
30.3	SCREW, MACH PNH #6-32	2	(650480-12)
30.4	CONNECTOR, TERMINAL BLOCK	1	651034-08
30.5	PWB ASSY OUTPUT ST MOD (OSM)	1	(634677-01)
P2	RIBBON CABLE ASSY PAR/MSC+	1	633245
P3	CABLE, VALUE POWER-PAR/MSC+	1	633247
U2	SW ASSY, OSM V01	1	634672
C1, C3	CAPACITOR CERAMIC DISC 0.1MF 50V	2	650013-45
CR1-CR8	DIODE IN4148	8	650037-01
R11-R18	RESISTOR 1/4W 10% 2.2 K	8	(650079-81)
R19	RESISTOR 1/4W 10% 3.3 K	1	(650079-85)
R1-R8	RESISTOR 1/4W 10% 4.7 K	8	650079-89
R10	RESISTOR 1/4W 10% 5.6 K	1	(650079-91)
R9	RESISTOR 1/4W 10% 22 K	1	650080-06
Q1-Q8	TRANSISTOR, NPN 600MW PN2222	8	650084
P4	TERMINAL Q.DISK MALE	1	650138
TP1	TERMINAL TEST PT .067-078	1	(650336-01)
Q9	TRANSISTOR PNP 625 MW	1	650369
C2	CAPACITOR TANTALUM 22UF 25V	1	650583-09
W1-W8	WIRE, 22AWG AUTO-INSERTED	8	(650625-03)
K1-K8	RELAY, SPDT, SMALL 5A 9V	8	650725-03
P1	HEADER .100 CTR 16 CKT	1	650872-16
U1	IC 8 BIT LATCH ADDR 74HC259 8 BIT	1	650889
TB1	SOCKET, HORIZONTAL 8 CRKT	1	(650900-08)
DS1-DS8	LED, CLEAR RED SUPER BRIGHT	8	650910
F1-F8	FUSE, SELF RESETTING, 1.85AMPS	8	651124-05
Y1	RESONATOR, CERAMIC 10MHZ	1	651445
LP1-LP8	MOV, 47 V, 1000A	8	651467

**Note: Part Number enclosed in brackets ( ) are not available individually, but may be sold in assemblies or kits.**



Ref.	Description	Qty.	Part Number
<b>31</b>	<b>OUTPUT STATION MODULE /W SW</b>		<b>HA0200</b>
31.1	SHIELD, INSUL,U.L.94V0,OSM PWB	1	633852
31.2	COVER, OUTPUT STATION MODULE	1	(634644-02)
31.3	SCREW, MACH PNH #6-32	2	(650480-12)
31.4	CONNECTOR, TERMINAL BLOCK	1	651034-08
31.5	LABEL , SWITCH POSITION	1	(634680)
31.6	PWB ASSY OUTPUT ST MOD (OSM)	1	(634677-01)
P2	RIBBON CABLE ASSY PAR/MSC+	1	633245
P3	CABLE,VALUE POWER-PAR/MSC+	1	633247
U2	SW ASSY, OSM V01	1	634672
C1,C3	CAPACITOR CERAMIC DISC 0.1MF 50V	2	650013-45
CR1-CR8	DIODE IN4148	8	650037-01
R11-R18	RESISTOR 1/4W 10% 2.2 K	8	(650079-81)
R19	RESISTOR 1/4W 10% 3.3 K	1	(650079-85)
R1-R8	RESISTOR 1/4W 10% 4.7 K	8	650079-89
R10	RESISTOR 1/4W 10% 5.6 K	1	(650079-91)
R9	RESISTOR 1/4W 10% 22 K	1	650080-06
Q1-Q8	TRANSISTOR, NPN 600MW PN2222	8	650084
P4	TERMINAL Q.DISK MALE	1	650138
TP1	TERMINAL TEST PT .067-078	1	(650336-01)
Q9	TRANSISTOR PNP 625 MW	1	650369
C2	CAPACITOR TANTALUM 22UF 25V	1	650583-09
SW1-SW8	SUB-MINIATURE TOGGLE SWI	8	651414
K1-K8	RELAY, SPDT, SMALL 5A 9V	8	650725-03
P1	HEADER .100 CTR 16 CKT	1	650872-16
U1	IC 8 BIT LATCH ADDR 74HC259 8 BIT	1	650889
TB1	SOCKET, HORIZONTAL 8 CRKT	1	(650900-08)
DS1-DS8	LED, CLEAR RED SUPER BRIGHT	8	650910
F1-F8	FUSE,SELF RESETTING,1.85AMPS	8	651124-05
Y1	RESONATOR,CERAMIC 10MHZ	1	651445
LP1-LP8	MOV,47 V,1000A	8	651467

**Note: Part Number enclosed in brackets ( ) are not available individually, but may be sold in assemblies or kits.**

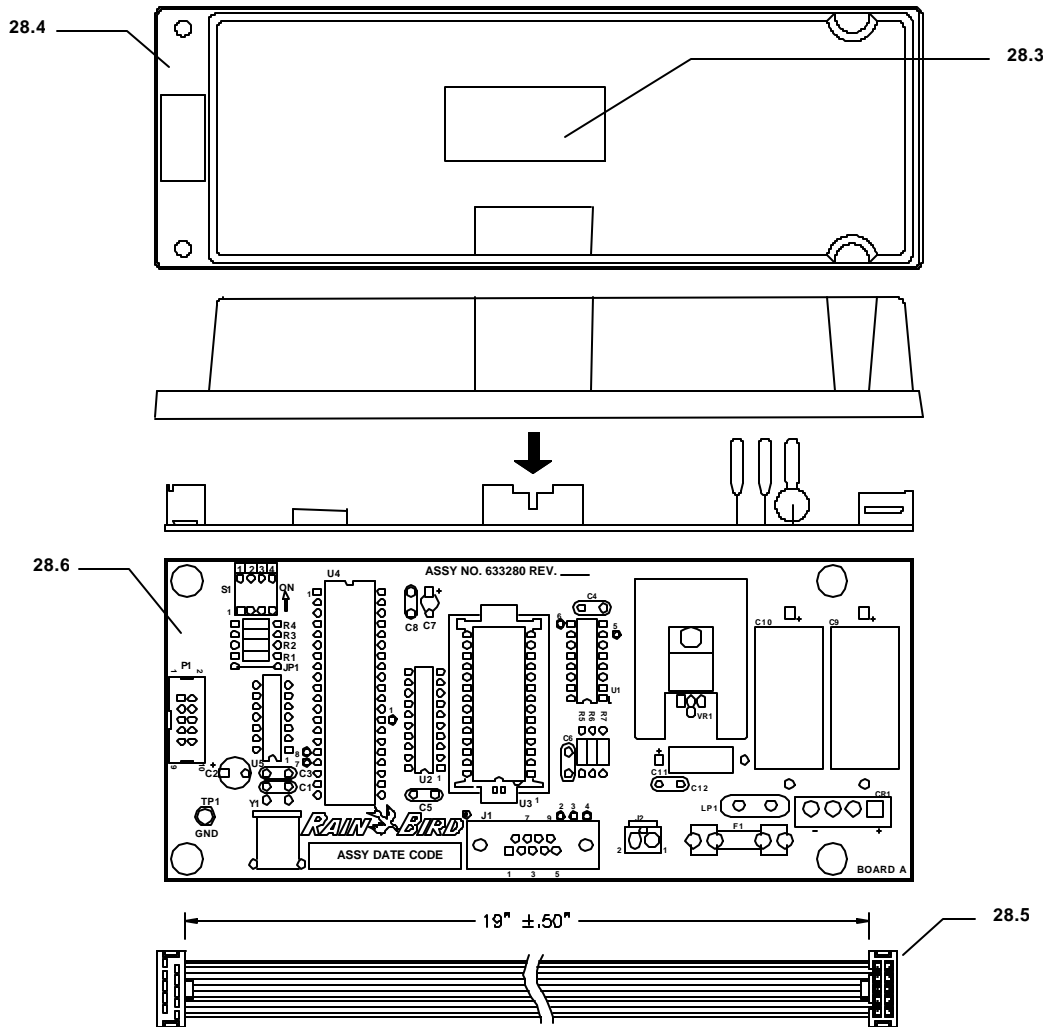


Ref.	Description	Qty.	Part Number
<b>27</b>	<b>MAXI I/F MODULE, 2 - WIRE</b>		<b>H44500</b>
27.1	COVER, MAXI I/F MODULE	1	633207
27.2	CABLE HARNESS ASSY	1	634875
27.3	CONNECTOR, TERMINAL BLOCK	1	(651034-05)
27.4	LABEL,MAXI 2-WIRE-PAR/MS+	1	(633668)
27.5	SCREW, #4-40 X 1/4" PH	4	(650480-01)
27.6	PWB ASSY 2 WIRE INTERFACE BOARD	1	633243
LP2,LP5	PROTECTOR, SURGE, SPARK GAP	2	624625
U3	S/W,MS+ /PAR+ 2W I/FB V03	1	(633294)
C1,C3	CAPACITOR CER DISC,50V(MIN)1PFT08200	2	(650012-15)
C4,5,6,7,8	CAPACITOR CER 0.1MF 50V	4	650013-45
LP1,LP3,LP4	MOV 68VOLTS 500AMPS	3	650016
CR1,CR5	DIODE ZENER 1N5237 8.2V	2	650038-12
C9	CAPACITOR 001UF 100V	1	(650040-57)
C10	CAPACITOR ELECT AX 50V 47MF	1	(650046-13)
U5	IC MOC3011	1	650070-01
CR2,3,4	DIODE 1N4002	3	650077-02

Note: Part Number enclosed in brackets ( ) are not available individually, but may be sold in assemblies or kits.

Ref.	Description	Qty.	Part Number
R2	RESISTOR 1/4W 10% 270 OHM	1	(650079-59)
R1,9	RESISTOR 1/4W 10% 1.0 K	2	(650079-73)
R3	RESISTOR 1/4W 10% 2.0 K	1	(650079-80)
R8	RESISTOR 1/4W 10% 4.7 K	1	650079-89
R4,5,7,10	RESISTOR 1/4W 10% 47 K	4	(650080-14)
R6	RESISTOR 1/4W 10% 100 K	1	(650080-22)
JP1,JP2, (Y1)	WIRE, 22AWG, A.I. .450 LD SP	2	(650625-03)
L1,L2	INDUCTOR FERRITE	2	650300-05
(F1,F2)	CLIP FUSE. 197DIA PCB MNT	4	(650308)
TP1	TERMINAL TEST PT .067-078	1	(650336-01)
Q1	RECTIFIER 2N5062 SILICON	1	650375
U6	IC, OPTO-COUPLER HCPL-2731	1	650445
(U3)	SOCKET IC CARRIER 28PI	1	650518-02
U2	IC, INVERTER 74HC14	1	650540
C7	CAPACITOR 2.2UFD 25V TANTALUM	1	650583-03
C2	CAPACITOR 22UFD 25V TANTALUM	1	650583-09
U1	IC, 74HC373 3 STATE OCT LATCH	1	650611
Y1	CRYSTAL, 11.0592 MHZ	1	650721
P1	HEADER .100CTR,10CKT,LO PROFIL	1	(650872-10)
TB1	SOCKET, HORIZONTAL 5 CRKT.	1	650900-05
F1,F2	FUSE,5X20MM,SLOW BLOW 4 AMPS	2	(650966-16)
U4	IC,MICROCONTROLLER,80C32	1	651031

**Note: Part Number enclosed in brackets ( ) are not available individually, but may be sold in assemblies or kits.**

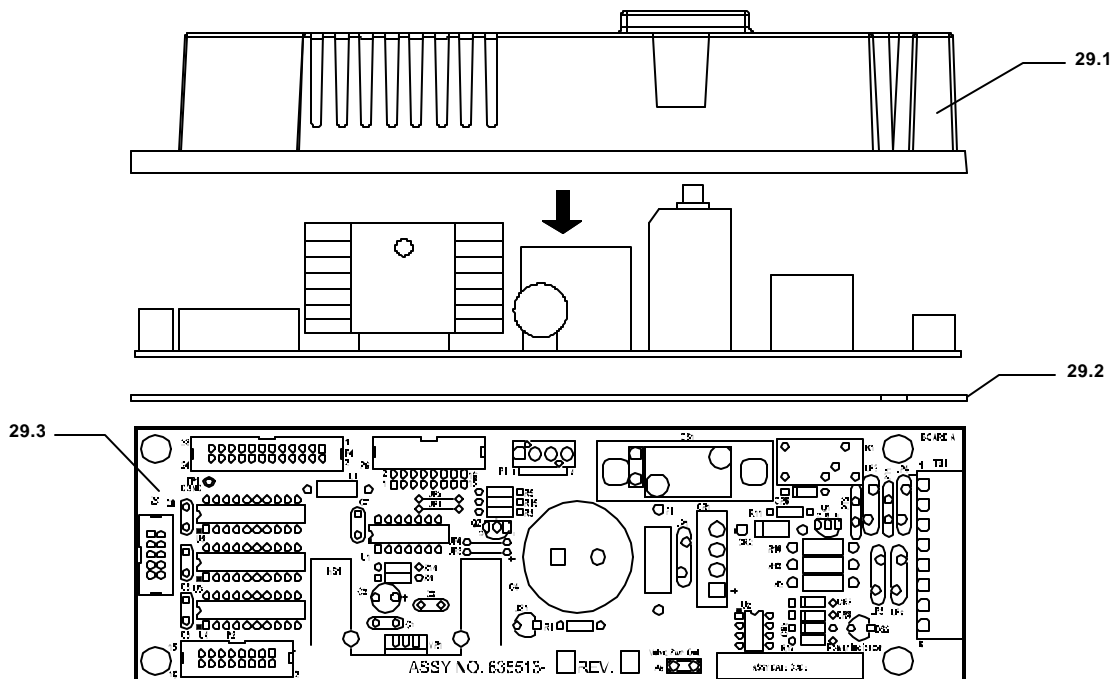


Ref.	Description	Qty.	Part Number
<b>28</b>	<b>MAXI I/F MODULE, LINK</b>		<b>H44550</b>
28.1	LINK INTERFACE MODULE	1	(634935)
28.2	SCREW, #4-40 X 1/4" PH	4	(650480-01)
28.3	LABEL, LINK CONVER, FIELD INSTAL	1	(633034)
28.4	COVER, MODIFIED, INTFC PWB, +LINK	1	633231
28.5	CABLE HARNESS ASSY	1	634875
28.6	PWB ASSY LINK INTFC BRD-PAR/MS	1	633280
S1	SWITCH, DIP, SP ST	1	631012-04
U3	SOFTWARE ASSY, INTFC-PAR LINK+	1	633293-02
C1,3	CAPACITOR CER DISC, 50V(MIN)1PFTO8200	2	(650012-15)
C4,5,6,8,12	CAPACITOR CER 0.1MF 50V	5	650013-45
LP1	MOV 33VOLTS 500AMPS	1	650015
C11	CAPACITOR ELECT AX 25V 47MF	1	(650045-08)
R5,6,7	RESISTOR 1/4W 10% 4.7 K	3	650079-89
R1,2,3,4	RESISTOR 1/4W 10% 47 K	4	(650080-14)

Note: Part Number enclosed in brackets ( ) are not available individually, but may be sold in assemblies or kits.

<b>Ref.</b>	<b>Description</b>	<b>Qty.</b>	<b>Part Number</b>
(VR1)	RIVET BLIND 1/8 X .328	1	(650139-05)
F1	FUSE 5X20MM 2AMPS	1	(650307-03)
(F1)	CLIP FUSE. 197DIA PCB MNT	2	(650308)
(VR1)	HEATSINK TO-220 HP	1	(650335)
(U4)	SOCKET IC CARRIER 28PI	1	650518-02
U1	IC, INVERTER 74HC14	1	650540
CR1	BRIDGE RECTIFIER,200V 4AMP SIP	1	650581-03
C7	CAPACITOR 2.2UF 25V TANTALUM	1	650583-03
C2	CAPACITOR 22UF 25V TANTALUM	1	650583-09
J1	CONNECTOR	1	(650610-05)
U2	IC, 74HC373 3 STATE OCT LATCH	1	650611
(J1)	JACK SOCKET KIT	1	(650620)
JP1	WIRE, A.I.	1	(650625-03)
Y1	CRYSTAL, 11.0592 MHZ	1	650721
U1	IC, 74LS367	1	650776
P1	HEADER .100CTR,10CKT,LO PROFIL	1	(650872-10)
J2	HEADER, ST. SQ. PIN 2 POS.	1	(650893-02)
VR1	VOLTAGE REGULATOR 8V,7808	1	650939
C9,10	CAPACITOR ELECT AXIAL 25V 3300MF	2	(650954)
U4	IC, MICROCONTROLLER, 80C32	1	651031

**Note: Part Number enclosed in brackets ( ) are not available individually, but may be sold in assemblies or kits.**

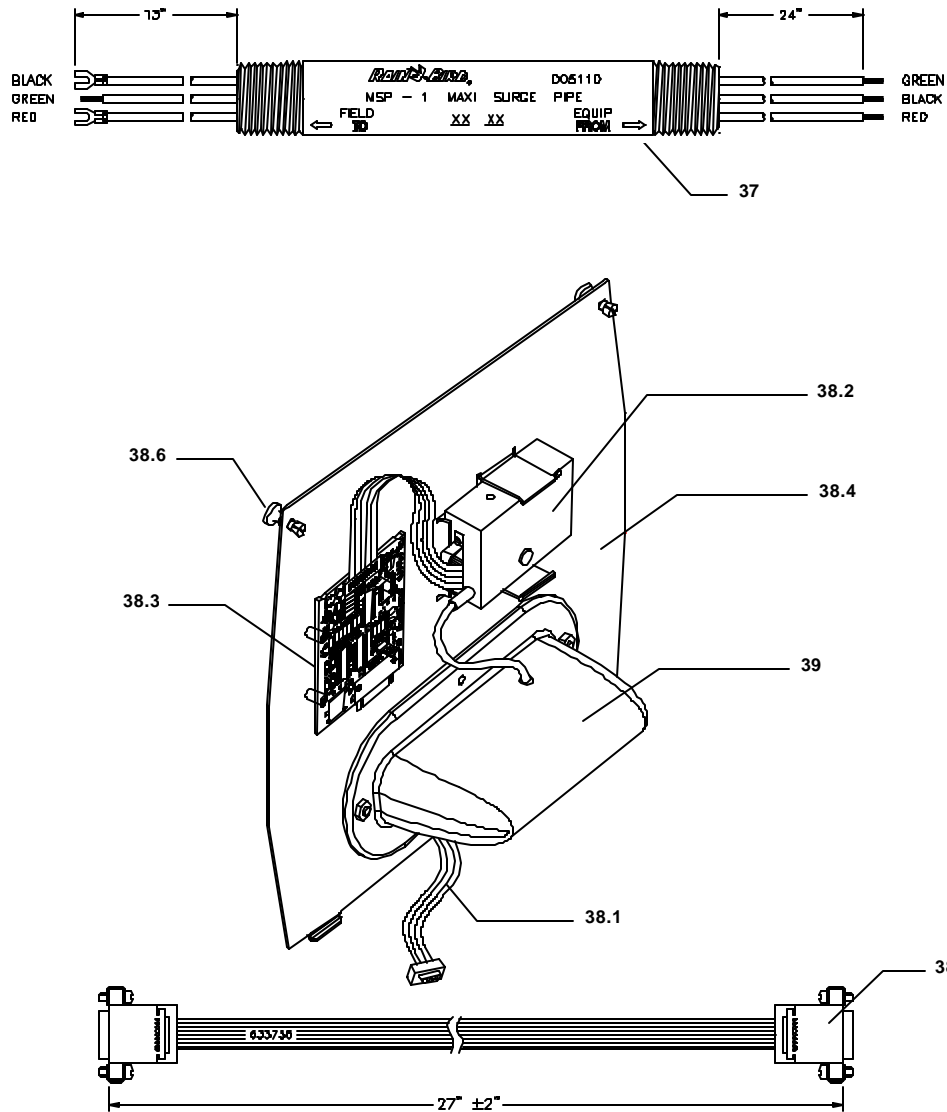


Ref.	Description	Qty.	Part Number
<b>29</b>	<b>INTERCONNECT / PWR SUP SUB – ASSY PAR+ES</b>		<b>633226-03</b>
29.1	COVER,INTCON PWB-PAR/MSC+	1	633208
29.2	SHIELD,INSUL,U.L.94-V0,P/I-PWB	1	633851
29.3	PWB POWER INTERFACE ASSY	1	(635513-01)
C1,2,5,7,8	CAPACITOR CER 0.1MF 50V	6	650013-45
LP1	MOV 33VOLTS 500AMPS	1	650015
(VR1)	WASHER, FLAT #5 .010	1	(650023-03)
CR3,6,7,8	DIODE IN4148	4	650037-01
R1	RESISTOR 1/4W 10% 560 OHM	1	(650079-67)
R11,12	RESISTOR 1/4W 10% 4.7 K	2	650079-89
R4,14,15	RESISTOR 1/4W 10% 5.6 K	4	(650079-91)
Q1	TRANSISTOR, NPN 600MW PN2222	1	650084
R3	RESISTOR,10K-5%, 1/4W,C FILM	1	(650135-97)
P5	TERMINAL Q.DISK MALE	1	650138
(VR1)	RIVET BLIND 1/8 X .328	1	(650139-05)
R2,10,13	RESISTOR 1/2W 10% 2K	3	(650202-80)
U2	IC OPTO-COUPLER MCT6	1	650253
L1	INDUCTOR FERRITE	1	650300-05
Q2	TRANSISTOR PNP 625 MW	1	650369
U1	IC, INVERTER 74HC14	1	650540
CR1	BRIDGE RECTIFIER,50V 4AMP SIP	1	650581-01
C2	CAPACITOR 22UF 25V TANTALUM	1	650583-09
CR2	TRANSIENT SUPPRESSOR 18V	1	650595-22
U4	IC, 3 STATE OCT LATCH, 74HC373	2	650611
J1,2,3,4	WIRE, A.I.	4	(650625-03)
K1	RELAY, SPDT, SMALL 5A 9V	1	650725-03
VR1	IC LM2940-5.0	1	650733
P3	HEADER .100CTR,10CKT,LO PROFIL	1	(650872-10)

**Note: Part Number enclosed in brackets ( ) are not available individually, but may be sold in assemblies or kits.**

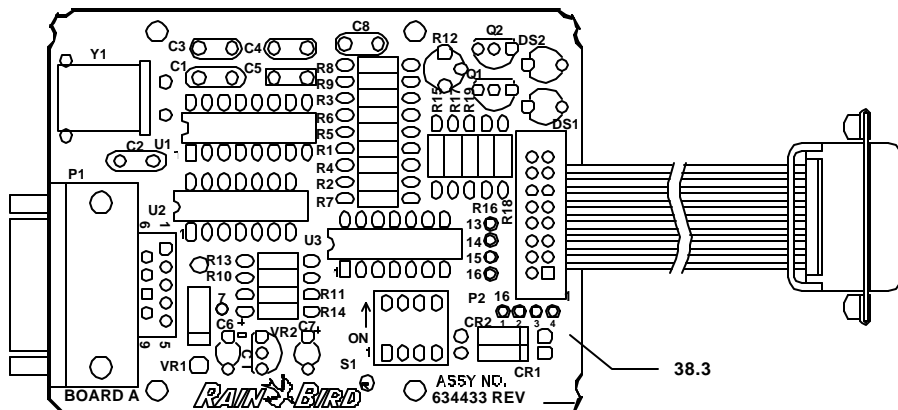
<b>Ref.</b>	<b>Description</b>	<b>Qty.</b>	<b>Part Number</b>
P2	HEADER .100 CTR 16 CKT	1	650872-16
P4	HEADER, LOW PROFILE 24 POS.	1	(650872-24)
LP2,3,4,5	MOV, 47 VOLTS 1000 AMPS	4	650875
P1	HEADER, ST. SQ. PIN 4 POS.	1	(650893-04)
TB1	SOCKET, HORIZONTAL 8 CRKT	1	(650900-08)
F1	FUSE,SLOW BLOW,250V,2.50A,2AG	1	(650905-10)
DS1,DS2	LED, CLEAR RED SUPER BRIGHT	2	650910
C4	CAPACITOR,LOW PROFILE	1	(650950)
HS1	HEATSINK,PLATIC,HIGH PERFORM	1	(651019)
CB1	CIRCUIT BREAKER, 6.00 AMPS	1	651032-22
P6	HEADER,LOW PROFILE R ANGLE	1	(651050-05)
PT1,PT2	FUSE,SELF RESETTING,1.85AMPS	2	651124-05
U5	IC BUFFER 74HC244	1	(651590)

**Note: Part Number enclosed in brackets ( ) are not available individually, but may be sold in assemblies or kits.**



Ref.	Description	Qty.	Part Number
<b>37</b>	<b>TWO WIRE PIPE SURGE PROTECTOR (MSP-1)</b>		<b>D05110</b>
<b>38</b>	<b>ANTENNA PANEL ASSY /W RADIO (NO ANTENNA)</b>		<b>H41006</b>
38.1	CABLE ASSY,MODEM-SCM	1	633736
38.2	RF,JSLM,SYN,RADIO,ASSY	1	(634096-05)
38.3	PWB ASSY WIRELESS MODEM	1	634433
38.4	METAL,ANTENNA PANEL	1	(635267)
38.5	RETAINER,PUSH TYPE	2	(651591)
<b>39</b>	<b>ANTENNA 450-470MHZ</b>		<b>H60140</b>

**Note: Part Number enclosed in brackets ( ) are not available individually, but may be sold in assemblies or kits.**



Ref.	Description	Qty.	Part Number
<b>38.3</b>	<b>ASSY WIRELESS MODEM</b>		<b>634433</b>
C5	CAP RAD.33MFD 50V	1	(626408)
P2	CABLE ASSY. COMBOX	1	(632367)
C1,3	CAPACITOR CER DISC.50V(MIN)1PFTO8200	2	(650012-10)
C2,4,8	CAPACITOR CER 0.1MF 50V	3	650013-45
CR1	DIODE 1N4002	1	650077-02
R15,16	RESISTOR 1/4W 10% 470 OHM	2	(650079-65)
R17,18	RESISTOR 1/4W 10% 4.7 K	2	650079-89
R5	RESISTOR 1/4W 10% 10 K	1	(650079-97)
R3	RESISTOR 1/4W 10% 20 K	1	(650080-05)
R1,2,7,10,11,13,14,19	RESISTOR 1/4W 10% 47 K	8	(650080-14)
R6	RESISTOR 1/4W 10% 56 K	1	(650080-16)
R4	RESISTOR 1/4W 10% 100 K	1	(650080-22)
(U1)	SOCKET,DIP,LOW PROFILE 16 PINS	1	(650081-03)
Q1, Q2	TRANSISTOR, NPN 600MW PN2222	2	650084
U2	IC, INVERTER 74HC14	1	650540
C7	CAPACITOR 2.2UF 25V TANTALUM	1	650583-03
C6	CAPACITOR 22UF 25V TANTALUM	1	650583-09
VR1	TRANSIENT SUPPRESSOR 18V	1	650595-22
(CR2)	WIRE, A.I.	1	(650625-03)
R12	POT, 10K OHM 1/4" SINGLE TURN	1	(650739-10)
Y1	CRYSTAL, 3.579545 MHZ	1	(650759)
DS1,2	LED, CLEAR RED SUPER BRIGHT	2	650910
U3	IC QUAD 2-INPUT EX-OR	1	650937
VR2	VOLTAGE REGULATOR	1	650938
P1	CONNECTOR PLUG RIGHT ANGLE PC	1	(651130-02)
U1	IC, M X 614 1200 BPS	1	651141

**Note: Part Number enclosed in brackets ( ) are not available individually, but may be sold in assemblies or kits.**